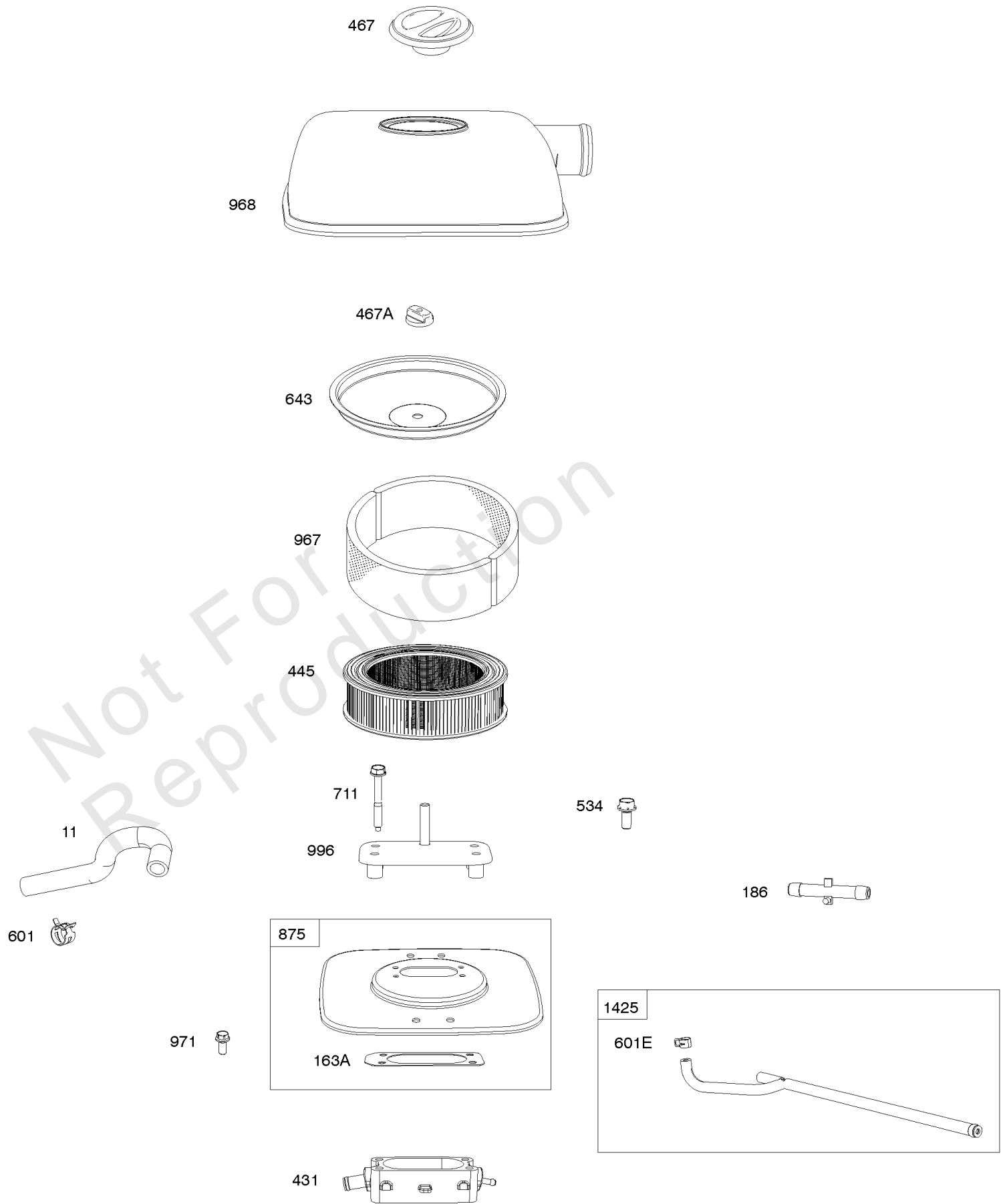




Parts Manual

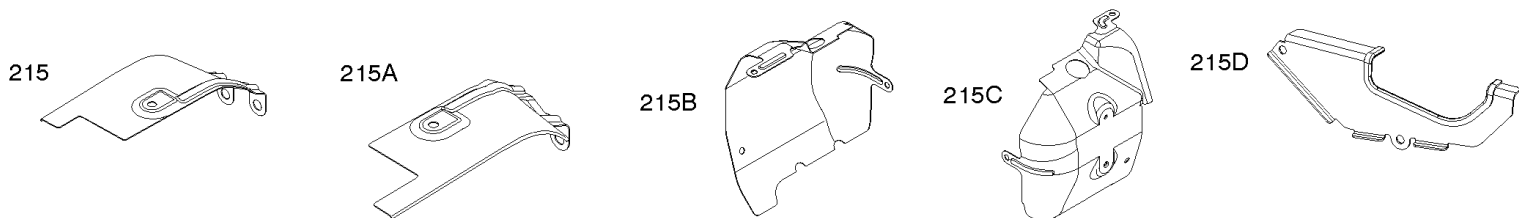
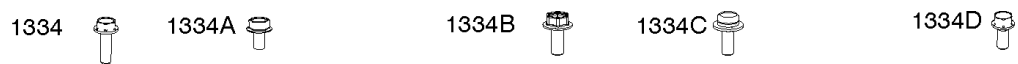
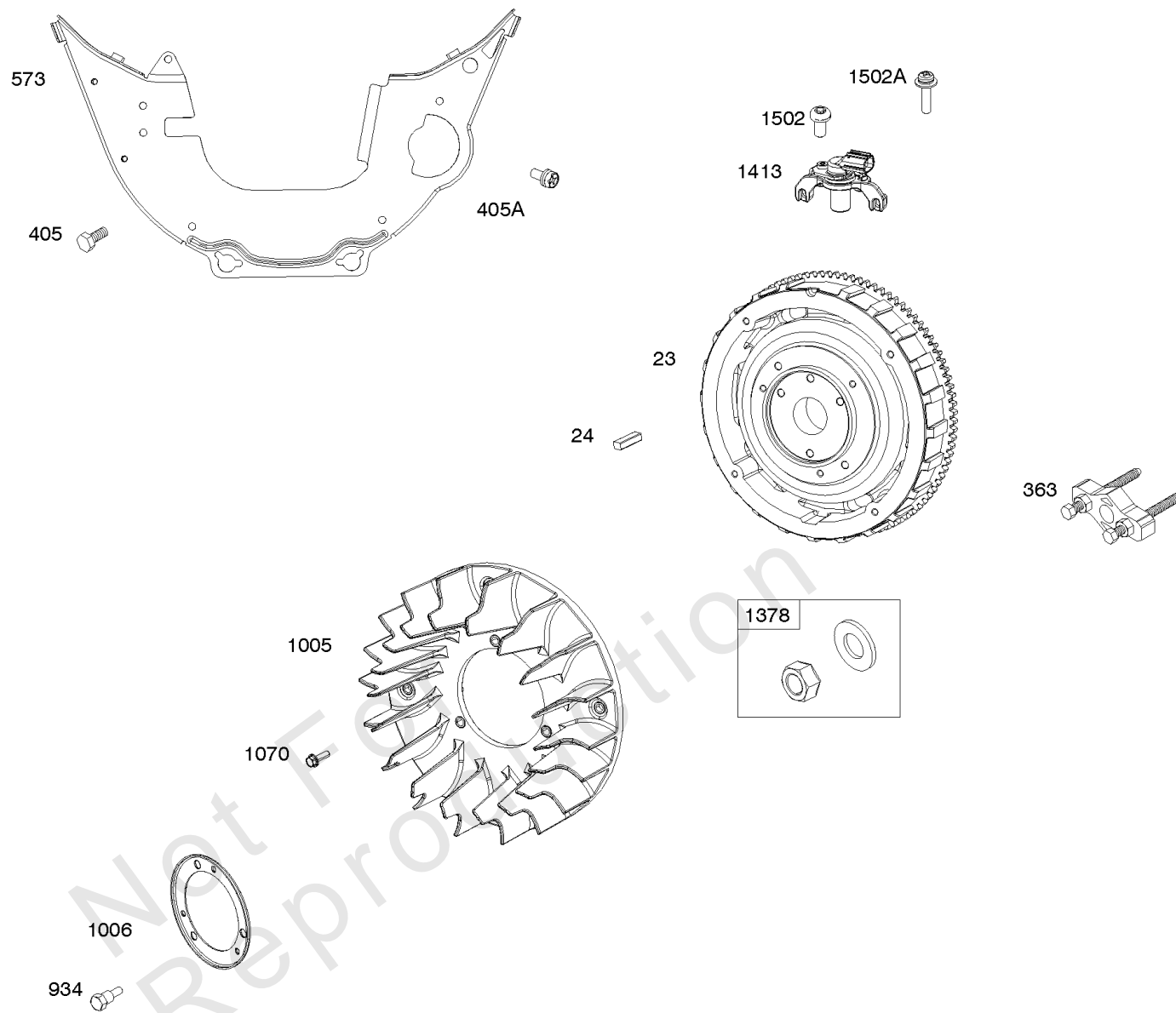
Mfg. No: 54E177-0001-J1

Model Components	Page
Air Cleaner.....	4
Air Guides, Flywheel, Flywheel Fan.....	6
Blower Housing, Back Plate, Carburetor/EFI Cover.....	8
Control Brackets, Springs, Muffler Parts.....	10
Crankcase Cover.....	12
Cylinder Heads #1 and #2, Valve Covers.....	14
Cylinder, Crankshaft, Piston/Rings/Connecting Rod.....	16
Electric Starter, Alternator, Regulator, ECM.....	20
Engine Gasket Set, Valve Gasket Set.....	22
Fuel Pump, Fuel Module, Fuel Lines.....	24
Intake Manifold, Throttle Body, Ignition Coil.....	26
Replacement Engine - US & Canada.....	28
Model 54-61 Engine Accessories Catalog.....	29
Maintenance Kits.....	30
Lubrication.....	32
Oil Filter Side Outlet Mufflers.....	34
Center Outlet Mufflers.....	36
Starter Side Outlet Mufflers.....	38
Muffler Bracket Kits.....	40
Speed Control.....	42
Electrical.....	44
Stub Shafts.....	46
Spark Arrester/Deflector.....	48
Air Intake.....	50
Guarding.....	52
Electronic Throttle Kit.....	54



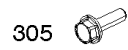
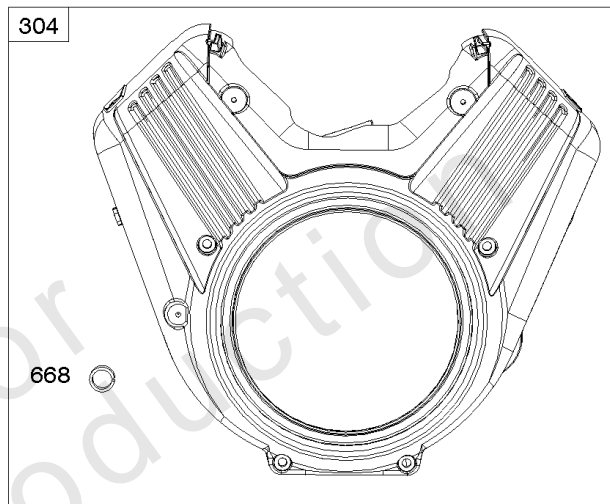
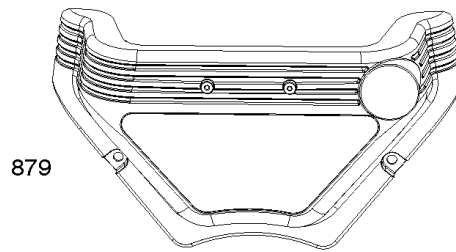
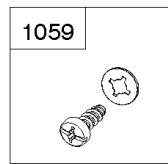
Air Cleaner

REF NO	PART NO	QTY	DESCRIPTION
11	846502		TUBE, Breather -(Formed Hose)
163A	843117		GASKET, Air Cleaner
186	845121		CONNECTOR, Hose
431	846507		ELBOW, Intake
445	692519		FILTER, A/C Cartridge
467	846008		KNOB, Air Cleaner Cover
467A	846432		KNOB, Air Cleaner Cover
534	692062		SCREW -(Air Cleaner) (M8x18mm)
601	844405		CLAMP, Hose -(Breather Tube)
601E	846483		CLAMP, Hose -(Purge Line Hose)
643	844932		RETAINER, Air Cleaner
711	806444		SCREW -(Carburetor Shield) (M6x68mm)
875	843118		BASE, Air Cleaner
967	692520		FILTER, Pre Cleaner
968	841847		COVER, Air Cleaner
971	692062		SCREW -(Air Cleaner Base to Carburetor/Throttle Body)
996	846006		SHIELD, Carburetor
1425	847085		TUBE, Vent



Air Guides, Flywheel, Flywheel Fan

REF NO	PART NO	QTY	DESCRIPTION
23	846836		FLYWHEEL
24	796335		KEY, Flywheel -(Steel)
215	846455		GUIDE, Air -(Cylinder #1)
215A	846456		GUIDE, Air -(Cylinder #2)
215D	846458		GUIDE, Air -(Valley)
215B	809897		GUIDE, Air -(Cylinder #2)
215C	809738		GUIDE, Air -(Cylinder #1)
363	19203		PULLER, Flywheel
405	841233		SCREW -(Back Plate) (M6x10mm)
405A	841735		SCREW -(Back Plate) (M6x14mm)
573	846840		PLATE, Back
934	807421		SCREW -(Fan Retainer) (M6x25mm)
1005	846995		FAN, Flywheel
1006	847198		RETAINER, Fan
1070	807435		SCREW -(Flywheel Fan) (M6x20mm)
1334	807435		SCREW -(Air Guide) (M6x20mm)
1334A	841233		SCREW -(Air Guide) (M6x10mm)
1334B	807084		SCREW -(Air Guide) (M6x14mm)
1334C	690677		SCREW -(Air Guide) (M4x12mm)
1334D	692062		SCREW -(Air Guide) (M8x18mm)
1378	844795		SET, Washer/Nut -(Flywheel)
1413	846457		SENSOR, Speed
1502	846459		SCREW -(Speed Sensor) (M5x10mm)
1502A	846868		SCREW -(Speed Sensor) (M4x18mm)



1212



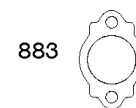
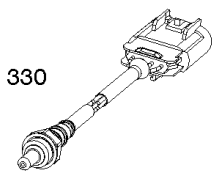
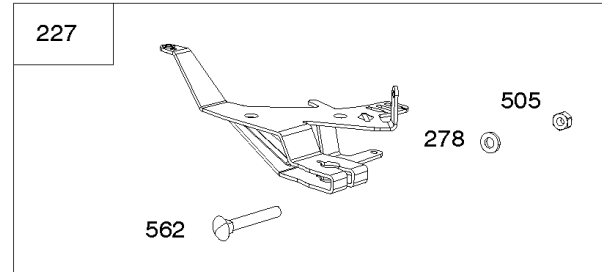
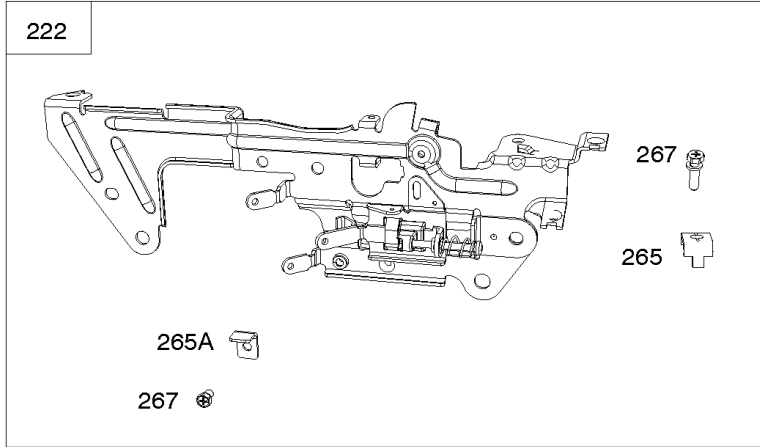
1335



Blower Housing, Back Plate, Carburetor/EFI Cover

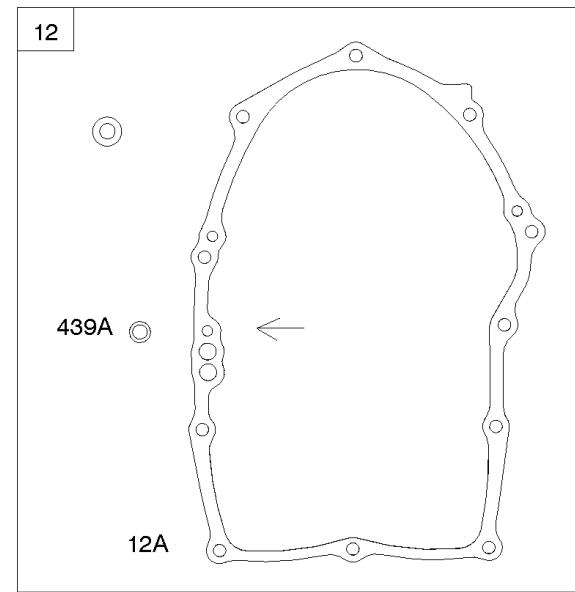
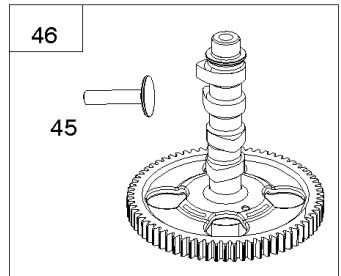
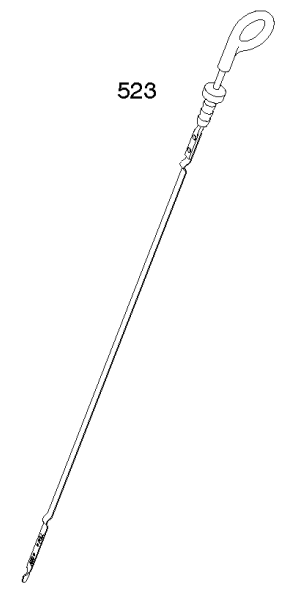
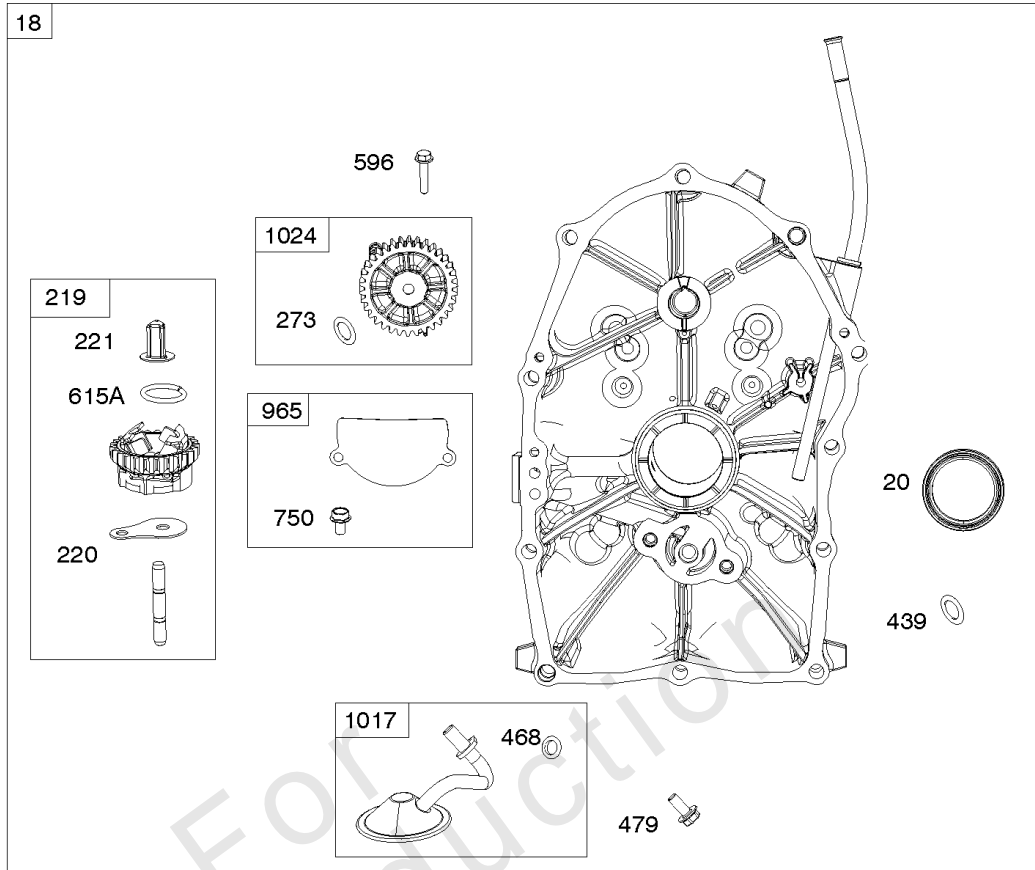
REF NO	PART NO	QTY	DESCRIPTION
304	846481		HOUSING, Blower -(Oil Cooler)
305	807435		SCREW -(Blower Housing) (M6x20mm)
668	841974		SPACER -(Blower Housing)
879	846480		COVER, Carburetor/EFI
1059	845300		KIT, Screw/Washer -(Carburetor/EFI Cover)
1212	809958		STUD -(Blower Housing)
1335	690939		NUT -(Blower Housing)

Not For Reproduction



Control Brackets, Springs, Muffler Parts

REF NO	PART NO	QTY	DESCRIPTION
188	692062		SCREW -(Control Bracket) (M8x18mm)
202	846825		LINK, Mechanical Governor
209	809874		SPRING, Governor -(Black)
211	809875		SPRING, Governed Idle -(White)
222	846818		BRACKET, Control
227	809984		LEVER, Governor Control
232	843248		SPRING/LINK, Governor
265	691024		CLAMP, Casing
265A	841673		CLAMP, Casing -(Control Bracket)
267	841552		SCREW -(Casing Clamp) (M5x20mm)
278	842122		WASHER -(Governor Control Lever)
330	593870		SENSOR, Oxygen
437	846149		SCREW -(Exhaust Manifold) (M8x25mm)
505	844752		NUT -(Governor Control Lever)
562	843344		BOLT -(Governor Lever)
613	692062		SCREW -(Muffler) (M8x18mm)
729	846826		CLIP, Wire
883	809872		GASKET, Exhaust

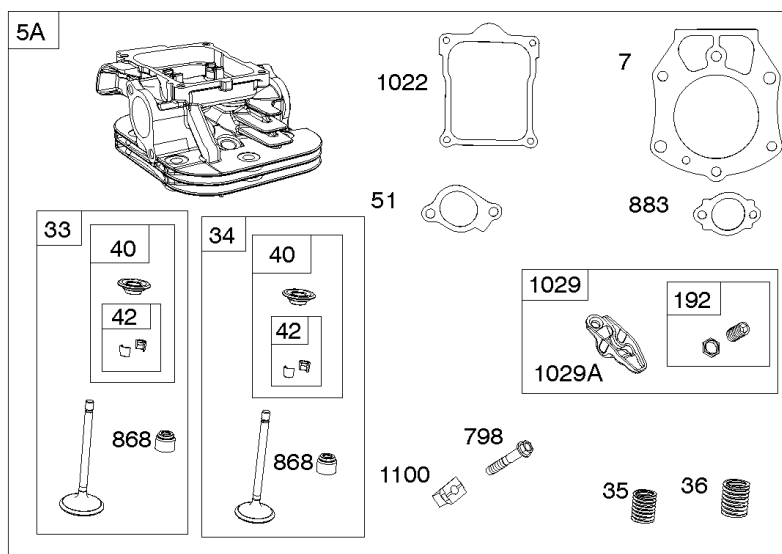
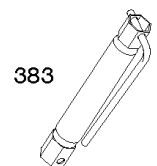
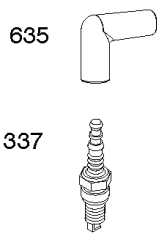
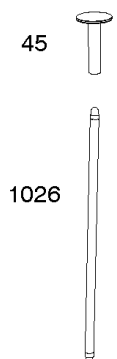
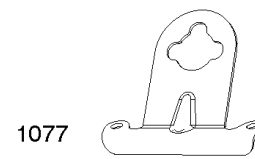
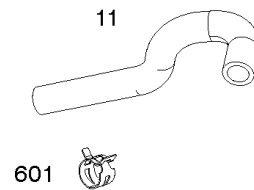
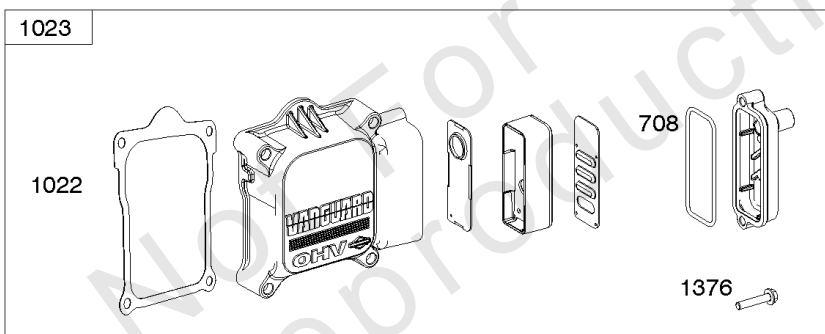
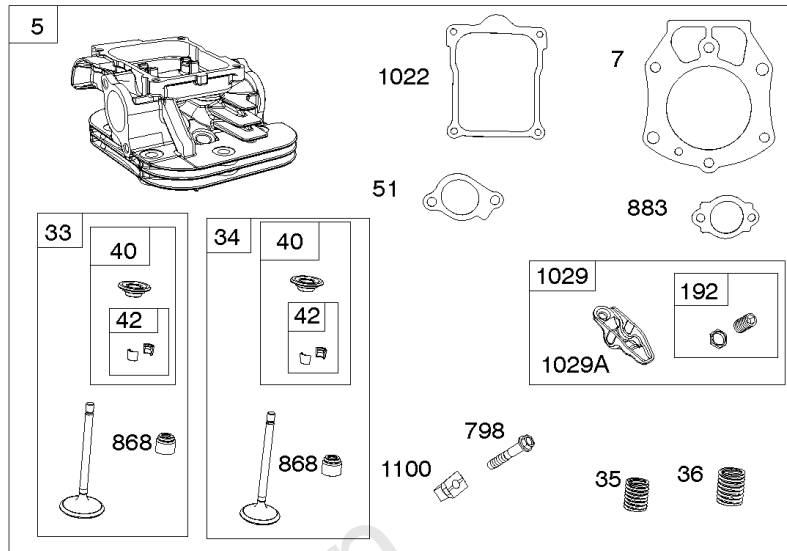
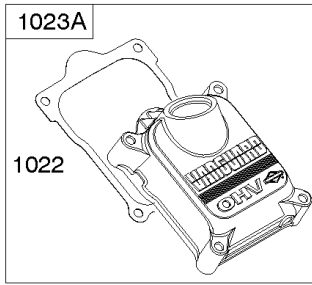
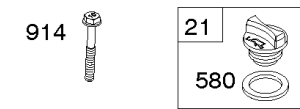


Crankcase Cover

REF NO	PART NO	QTY	DESCRIPTION
12	846037		GASKET, Crankcase -(Metal Core Gasket)
12A	843969		GASKET, Crankcase -(Metal Core Gasket)
18	845934		COVER, Crankcase
20	841596		SEAL, Oil -(PTO Side)
22	807362		SCREW -(Crankcase Cover/Sump) (M8x50mm)
45	809785		TAPPET, Valve
46	809879		CAMSHAFT
219	809426		GEAR, Governor
220	841608		WASHER -(Governor Gear)
221	841026		CUP, Governor
273	690681		SEAL, O-Ring -(Oil Pump)
439	692154		O-RING, Oil Gallery -(Crankcase Cover/Sump or Cylinder Assembly) (Cylinder)
439A	846027		O-RING, Oil Gallery -(Crankcase Cover/Sump or Cylinder Assembly) (Crankcase Cover/Sump)
468	690690		SEAL, O-Ring -(Oil Pump Screen)
479	807084		SCREW -(Oil Pump Screen)
523	841007		DIPSTICK
596	691492		SCREW -(Oil Pump)
615A	698290		RETAINER, Governor Shaft
750	841233		SCREW -(Oil Pump Cover) (M6x10mm)
965	809422		COVER, Oil Pump
1017	809421		SCREEN, Oil Pump
1024	845983		PUMP, Oil

Cylinder Heads #1 and #2, Valve Covers

Mfg. No: 54E177-0001-J1

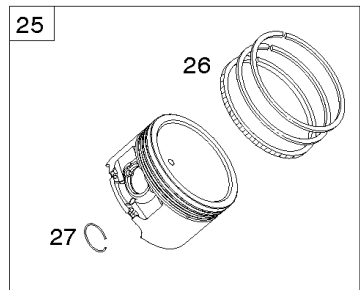
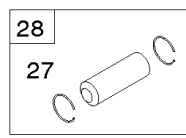
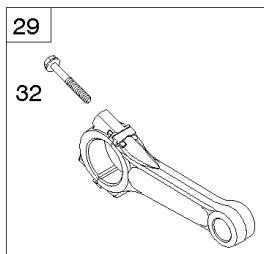
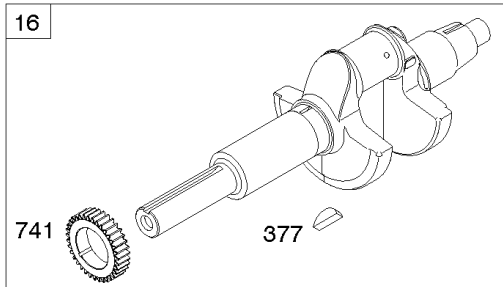
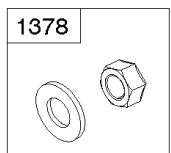
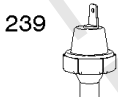
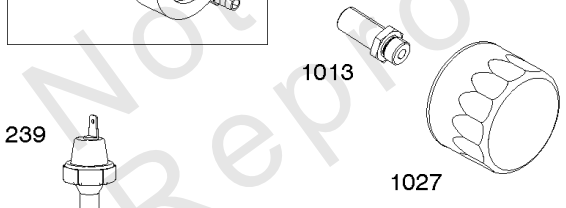
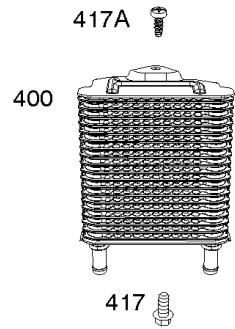
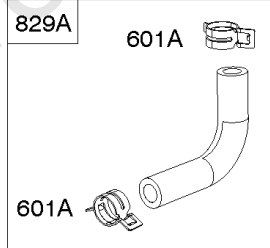
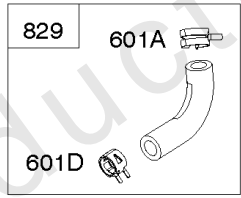
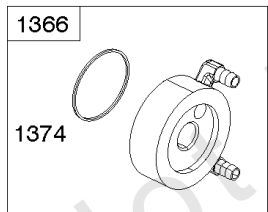
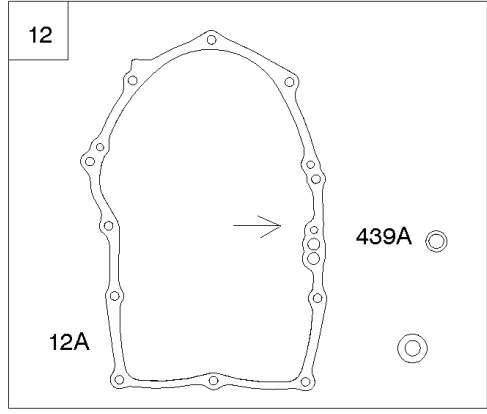
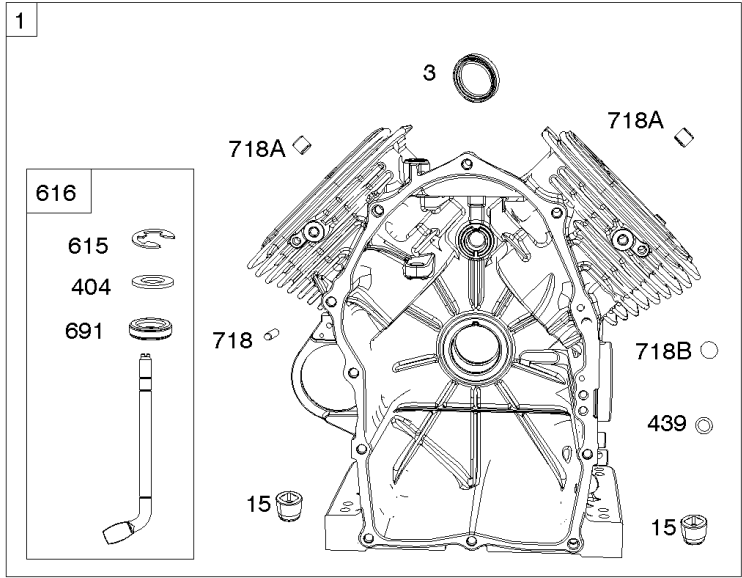


Cylinder Heads #1 and #2, Valve Covers

REF NO	PART NO	QTY	DESCRIPTION
5	846463		HEAD, Cylinder -(Cylinder 1)
5A	846464		HEAD, Cylinder -(Cylinder 2)
7	809730		GASKET, Cylinder Head
11	846502		TUBE, Breather -(Formed Hose)
13	809784		SCREW -(Cylinder Head) (M9x70mm)
21	843464		CAP, Oil Fill
33	844787		VALVE, Exhaust
34	846469		VALVE, Intake
35	845589		SPRING, Valve -(Intake) (Intake) (Pink)
36	845589		SPRING, Valve -(Exhaust) (Exhaust) (Pink)
40	844788		RETAINER, Valve
42	807683		KEEPER, Valve
45	809785		TAPPET, Valve
51	841592		GASKET, Intake -(Intake Manifold)
192	690083		ADJUSTER, Rocker Arm
337	792015		PLUG, Spark
383	19576S		WRENCH, Spark Plug
580	809894		SEAL, O-Ring -(Oil Fill Cap)
601	844405		CLAMP, Hose -(Breather Tube)
635	692076		BOOT, Spark Plug
708	841301		SEAL, O-Ring -(Breather Reed)
798	691492		SCREW -(Rocker Arm) (M6x18mm)
868	691963		SEAL, Valve
883	809872		GASKET, Exhaust
914	807357		SCREW -(Rocker Cover) (M6x40mm)
1022	809732		GASKET, Rocker Cover
1023	809789		COVER, Rocker -(Cylinder #2)
1023A	809731		COVER, Rocker -(Cylinder #1)
1026	809783		ROD, Push -(Intake and Exhaust)
1029	690972		ARM, Rocker
1029A	807323		ARM, Rocker
1077	809729		BRACKET, Lifting
1100	791959		PIVOT, Rocker Arm
1376	806421		SCREW -(Breather Reed Cover)

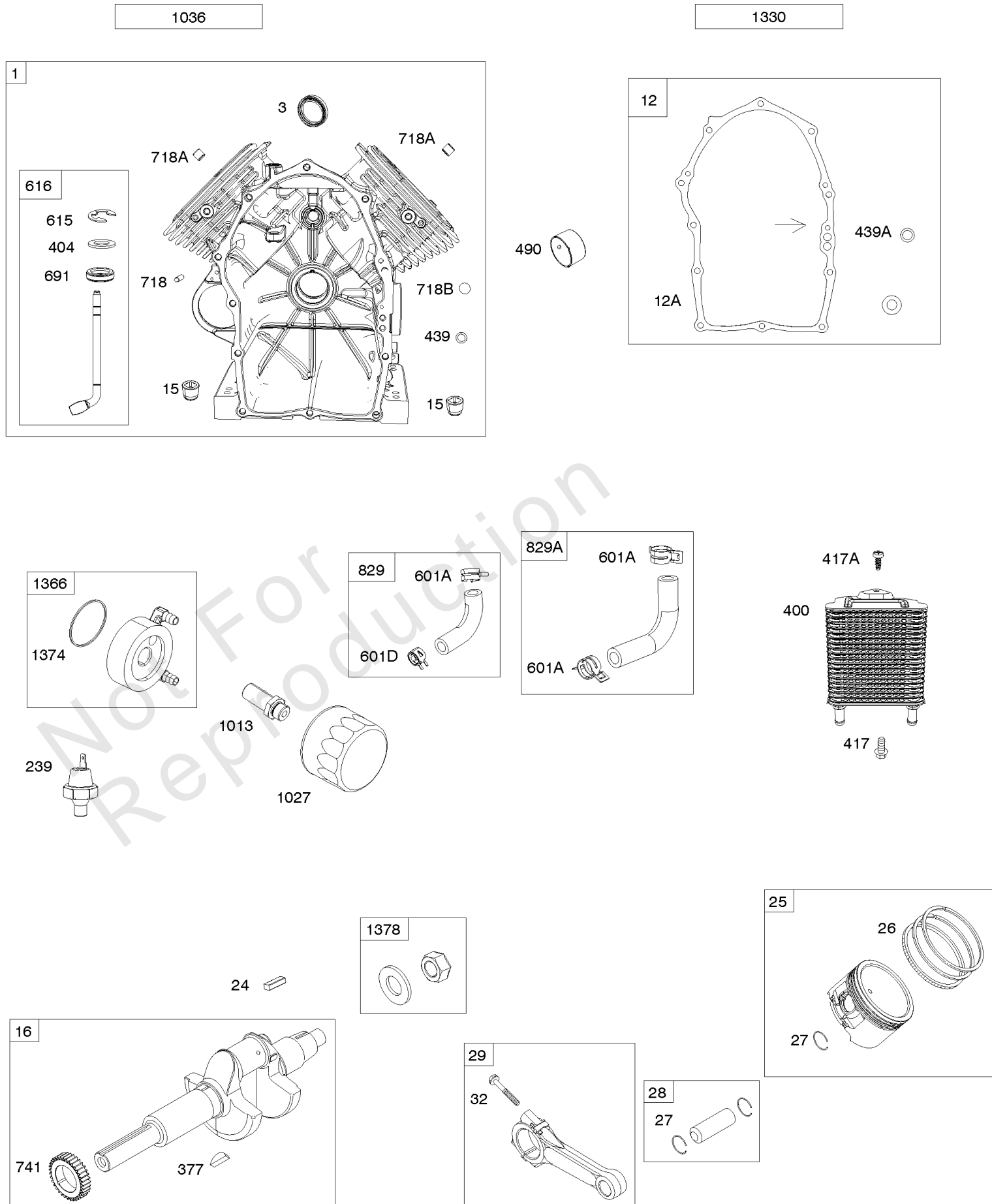
1036

1330



Cylinder, Crankshaft, Piston/Rings/Connecting Rod

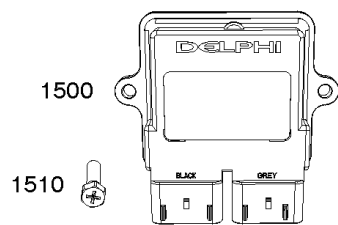
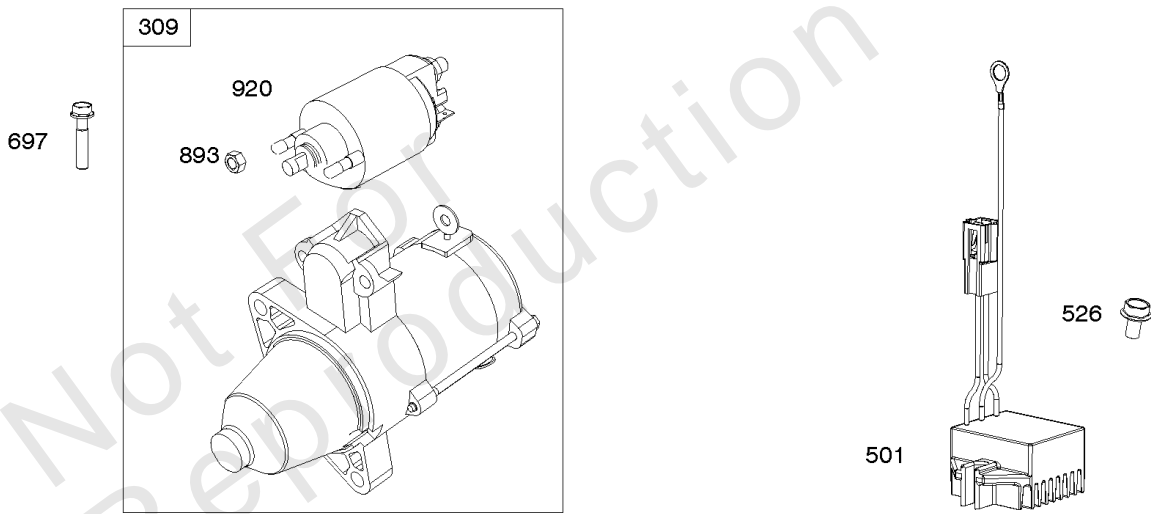
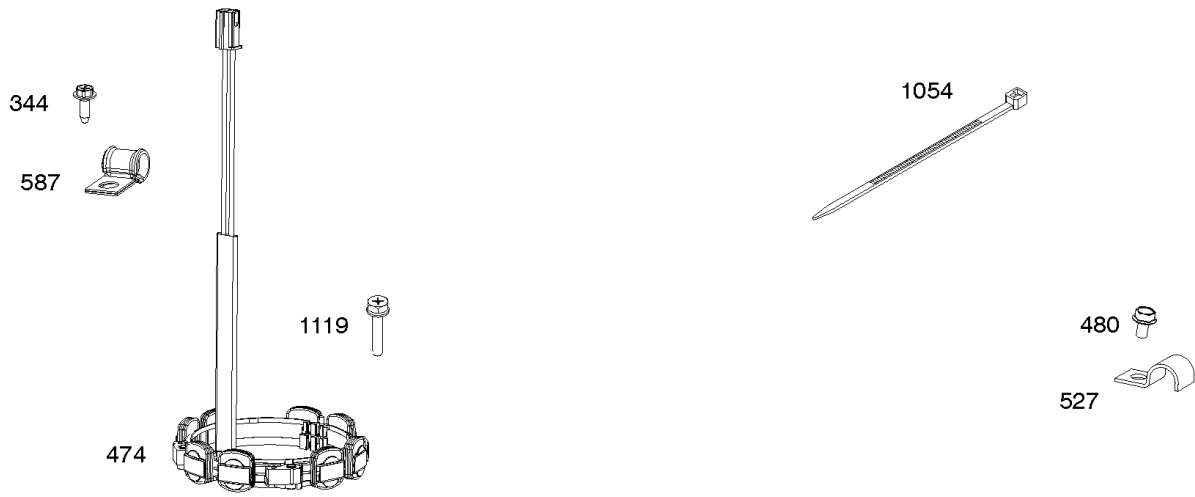
REF NO	PART NO	QTY	DESCRIPTION
1	847275		CYLINDER ASSEMBLY
3	841596		SEAL, Oil -(Magneto Side)
12	846037		GASKET, Crankcase -(Metal Core Gasket)
12A	843969		GASKET, Crankcase -(Metal Core Gasket)
15	691680		PLUG, Oil Drain
16	843292		CRANKSHAFT
24	796335		KEY, Flywheel -(Steel)
25	809790		PISTON ASSEMBLY -(Standard)
25	841931		PISTON ASSEMBLY -(.020 Oversize)
26	809972		SET, Ring -(Standard)
26	841932		SET, Ring -(.020 Oversize)
27	807351		LOCK, Piston Pin
28	807361		PIN, Piston
29	809275		ROD, Connecting
32	807363		SCREW -(Connecting Rod)
239	697049		SWITCH, Oil Pressure
377	691639		KEY, Woodruff
400	846249		COOLER, Oil
404	809436		WASHER -(Governor Crank)
417	841233		SCREW -(Oil Cooler) (M6x10mm)
417A	846250		SCREW -(Oil Cooler) (M6x16mm)
439	692154		O-RING, Oil Gallery -(Crankcase Cover/Sump or Cylinder Assembly) (Cylinder)
439A	846027		O-RING, Oil Gallery -(Crankcase Cover/Sump or Cylinder Assembly) (Crankcase Cover/Sump)
490	843433		BEARING, Magneto Side
601A	841597		CLAMP, Hose -(Oil Cooler Hose)
601D	845209		CLAMP, Hose -(Oil Cooler Hose)
615	809533		RETAINER, Governor Shaft
616	844180		CRANK, Governor
691	809287		SEAL, Governor Shaft
718	690959		PIN, Locating -(Cylinder)
718A	809508		PIN, Locating -(Cylinder Head)
718B	845925		PIN, Locating -(Cylinder)
741	809432		GEAR, Timing
829	846247		HOSE, Oil Cooler
829A	846248		HOSE, Oil Cooler
1013	841602		NIPPLE, Oil Filter
1027	842921		FILTER, Oil
1036	----		Label-Emissions -(Available From A Briggs & Stratton Authorized Dealer)



Cylinder, Crankshaft, Piston/Rings/Connecting Rod

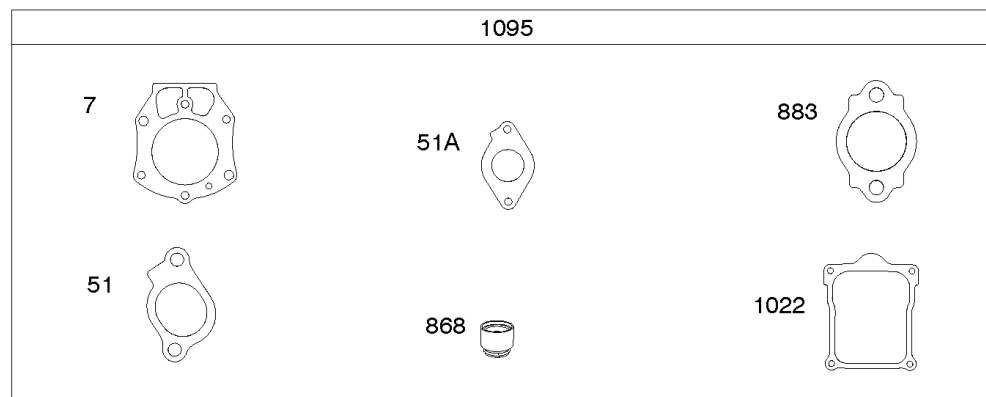
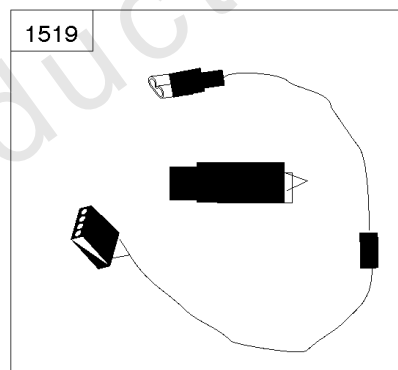
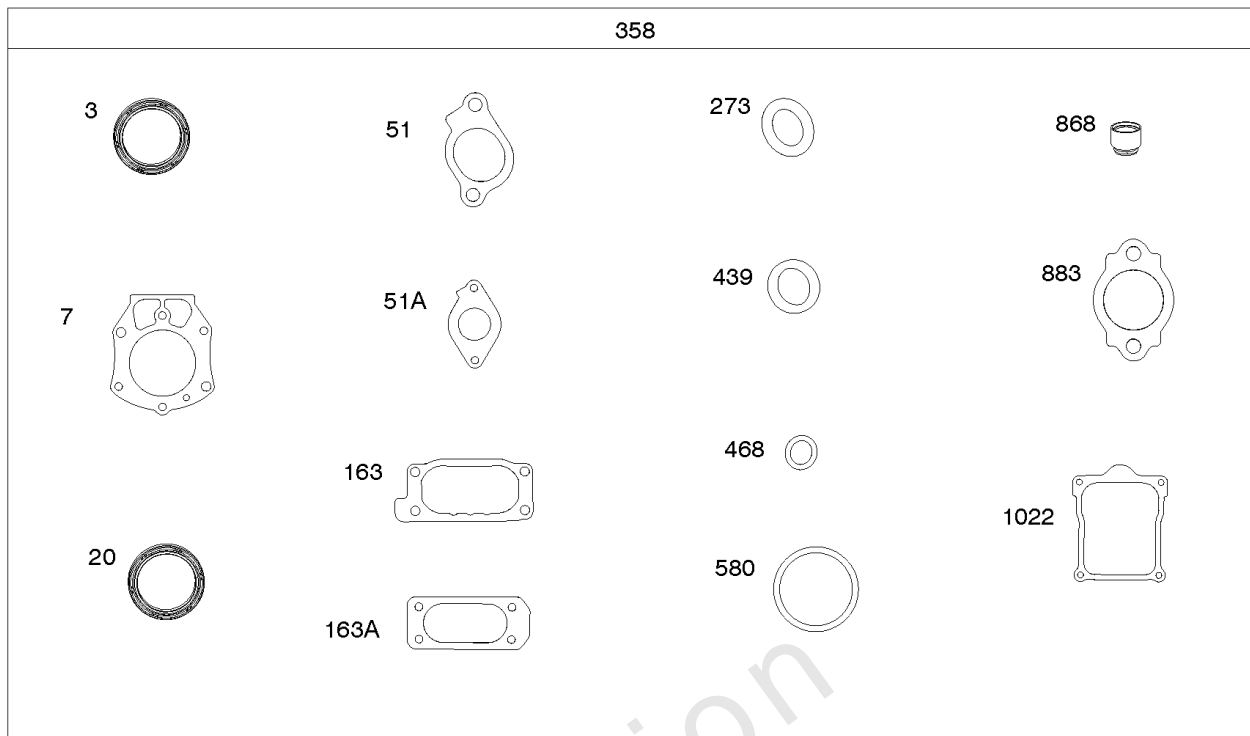
REF NO	PART NO	QTY	DESCRIPTION
1330	-----		Repair Manual -(Not Available At This Printing)
1366	841510		DIVERTER, Oil Cooler
1374	841506		SEAL, O-Ring -(Oil Cooler Diverter)
1378	844795		SET, Washer/Nut -(Flywheel)

Not For Reproduction



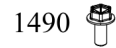
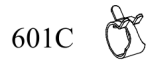
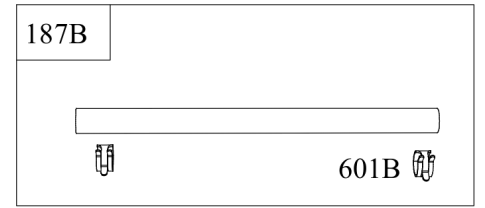
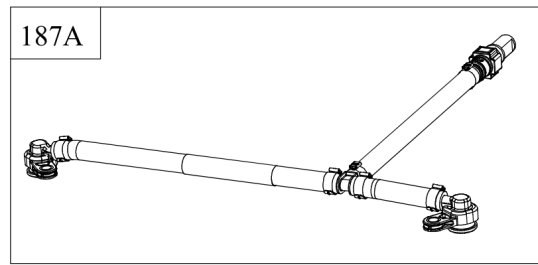
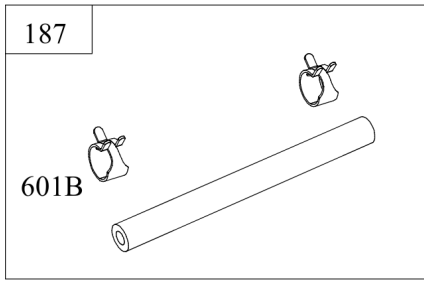
Electric Starter, Alternator, Regulator, ECM

REF NO	PART NO	QTY	DESCRIPTION
309	845760		MOTOR, Starter
344	841233		SCREW -(Cable Clamp)
474	846882		ALTERNATOR
480	841233		SCREW -(Tube Clamp) (M6x10mm)
501	847385		REGULATOR
526	690717		SCREW -(Regulator) (M6x30mm)
527	690423		CLAMP, Tube
587	846866		CLAMP, Cable
697	690711		SCREW -(Starter Motor) (Drive Cap) (M8x38mm)
893	845758		NUT -(Starter Solenoid)
920	846737		SOLENOID, Starter
1054	280275		TIE, Cable -(Clear, Nylon)
1119	691552		SCREW -(Alternator) (M4x30mm)
1500	846484		MODULE, Electronic Control -(Not Programmed) (Not Programmed)
1510	841552		SCREW -(Electronic Control Module) (M5x20mm)

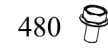
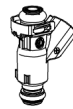


Engine Gasket Set, Valve Gasket Set

REF NO	PART NO	QTY	DESCRIPTION
3	841596		SEAL, Oil -(Magneto Side)
7	809730		GASKET, Cylinder Head
20	841596		SEAL, Oil -(PTO Side)
51	841592		GASKET, Intake -(Intake Manifold)
51A	846473		GASKET, Intake -(Intake Manifold/Throttle Body)
163	807375		GASKET, Air Cleaner
163A	843117		GASKET, Air Cleaner
273	690681		SEAL, O-Ring -(Oil Pump)
358	846671		GASKET SET, Engine
439	692154		O-RING, Oil Gallery -(Crankcase Cover/Sump or Cylinder Assembly) (Cylinder)
468	690690		SEAL, O-Ring -(Oil Pump Screen)
580	809894		SEAL, O-Ring -(Oil Fill Cap)
868	691963		SEAL, Valve
883	809872		GASKET, Exhaust
1022	809732		GASKET, Rocker Cover
1095	846672		GASKET SET, Valve
1519	19628		CABLE/SOFTWARE, Diagnostic



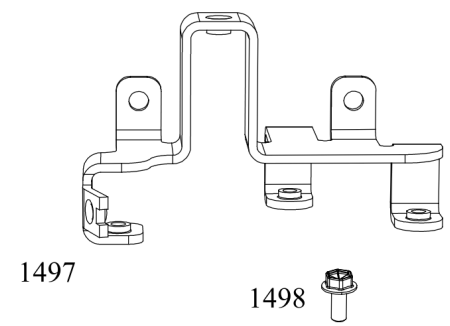
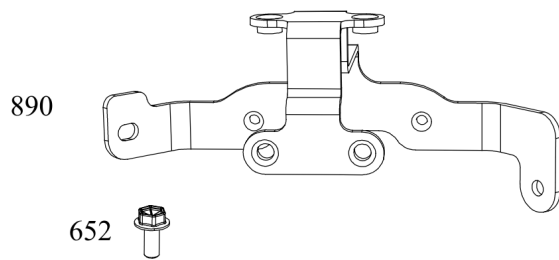
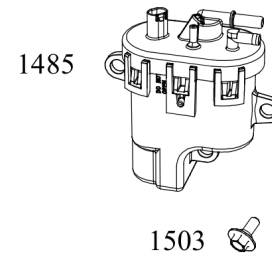
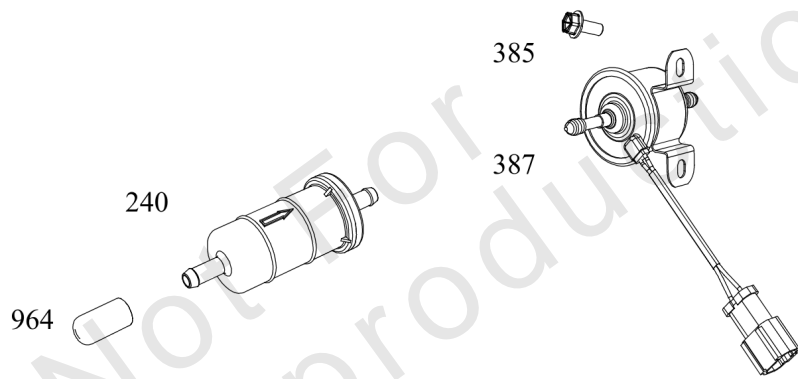
1480



527

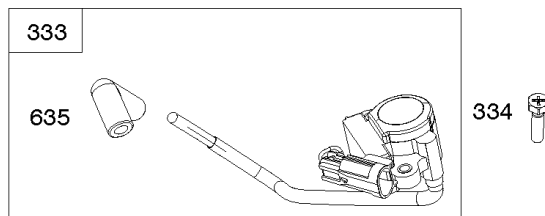
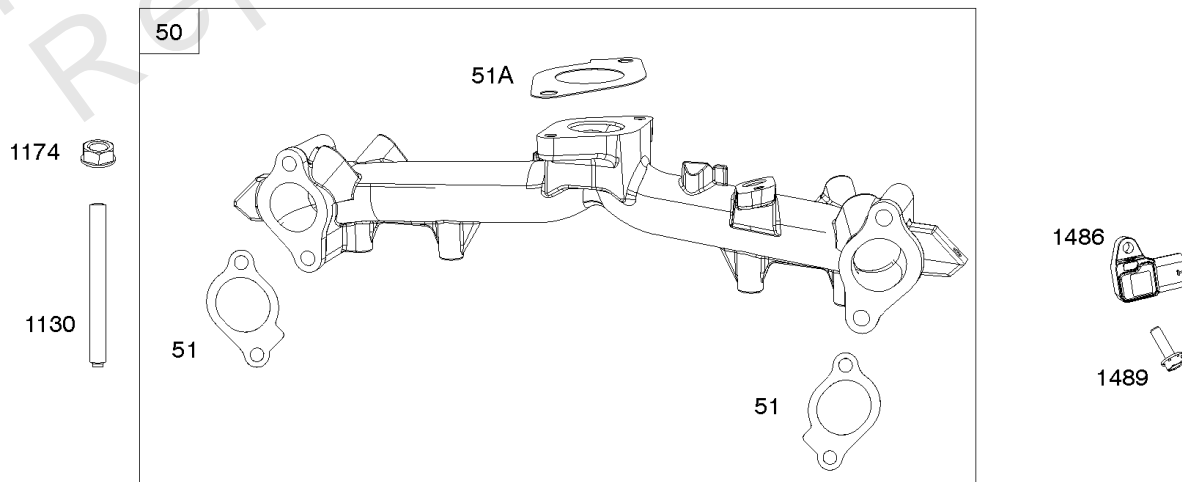
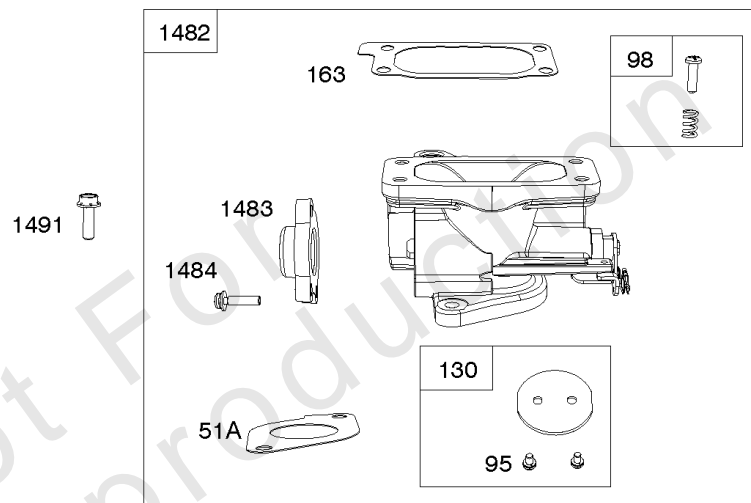
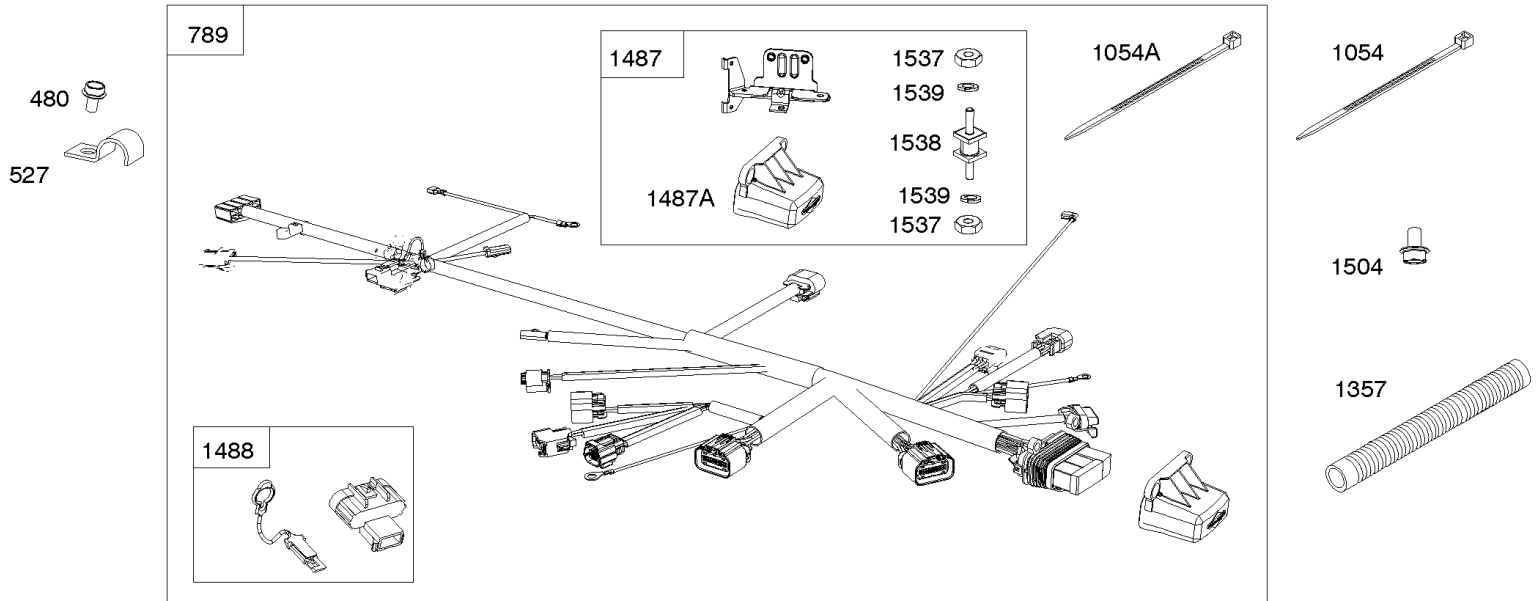


Not For Reproduction



Fuel Pump, Fuel Module, Fuel Lines

REF NO	PART NO	QTY	DESCRIPTION
187	791766		LINE, Fuel -(15 Inches Long)(Cut to Required Length)
187A	846475		LINE, Fuel
187B	791745		LINE, Fuel -(23 Inches)(Cut To Required Length)
240	845125		FILTER, Fuel
385	841233		SCREW -(Fuel Pump) (M6x10mm)
387	846824		PUMP, Fuel
480	841233		SCREW -(Tube Clamp) (M6x10mm)
527	690423		CLAMP, Tube
601B	791850		CLAMP, Hose -(Green)
601C	691038		CLAMP, Hose -(Black)
652	807084		SCREW -(Support Bracket) (M6x14mm)
890	846506		BRACKET, Support
964	590799		CAP, Connector
1480	593852		INJECTOR, Fuel
1485	593890		MODULE, Fuel
1490	807084		SCREW -(Fuel Injector) (M6x14mm)
1497	846505		BRACKET, Fuel Module
1498	807084		SCREW -(Fuel Module Bracket)
1503	594618		SCREW -(Fuel Module) (1/4-20x.5)



Intake Manifold, Throttle Body, Ignition Coil

REF NO	PART NO	QTY	DESCRIPTION
50	846503		MANIFOLD, Intake
51	841592		GASKET, Intake -(Intake Manifold)
51A	846473		GASKET, Intake -(Intake Manifold/Throttle Body)
95	593897		SCREW -(Throttle Valve)
98	846817		KIT, Idle Speed
130	846808		VALVE, Throttle
163	807375		GASKET, Air Cleaner
333	846490		ARMATURE, Magneto -(Cylinders 1 and 2)
334	841552		SCREW -(Magneto Armature) (M5x20mm)
480	841233		SCREW -(Tube Clamp) (M6x10mm)
527	690423		CLAMP, Tube
635	692076		BOOT, Spark Plug
789	847440		HARNESS, Wiring
1054	280275		TIE, Cable -(Clear, Nylon)
1054A	861206		TIE, Cable -(Black, Nylon)
1130	841590		STUD -(Intake Manifold)
1174	842067		NUT -(Intake Manifold)
1357	846822		SLEEVE, Fuel Line -(Cut To Required Length)
1482	846807		BODY, Throttle
1483	593895		COVER, Dust
1484	847169		SCREW -(Dust Cover)
1486	593905		SENSOR, Temperature/Manifold Absolute Pressure (MAP)
1487	847337		COVER, Fuse Kit -(Kit)
1487A	847334		COVER, Fuse
1488	593899		COVER, Diagnostic
1489	807435		SCREW -(TEMP/MAP Sensor) (TEMP/MAP Sensor) (Intake Manifold)
1491	807435		SCREW -(Throttle Body) (M6x20mm)
1504	841233		SCREW -(Fuse Cover) (M6x10mm)
1537	703460		NUT, Hex #8-32 -(Fuse Cover)
1538	847332		STUD -(Fuse Cover)
1539	847333		WASHER -(Fuse Cover) (Lockwasher)

Replacement Engine - US & Canada

REF NO	PART NO	QTY	DESCRIPTION
	54E1770006J1	1	Replacement Engine
	790813	1	Replacement Short Block
	-----		Top No-Load Speed: 3400
	80028618	1	ADAPTER, Wire
	1761386YP	1	CONNECTOR, Filter Adapter

Not For Reproduction



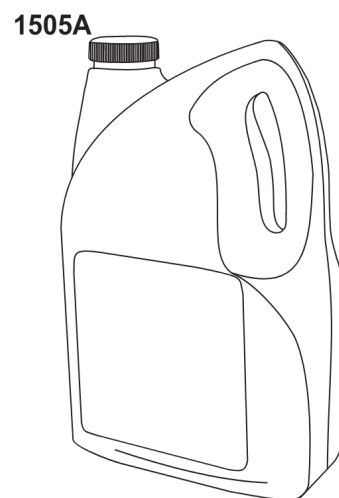
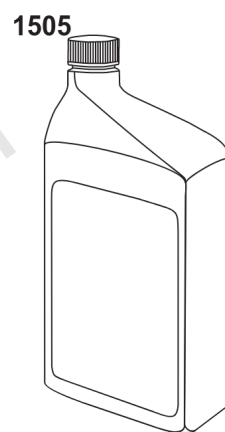
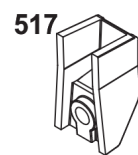
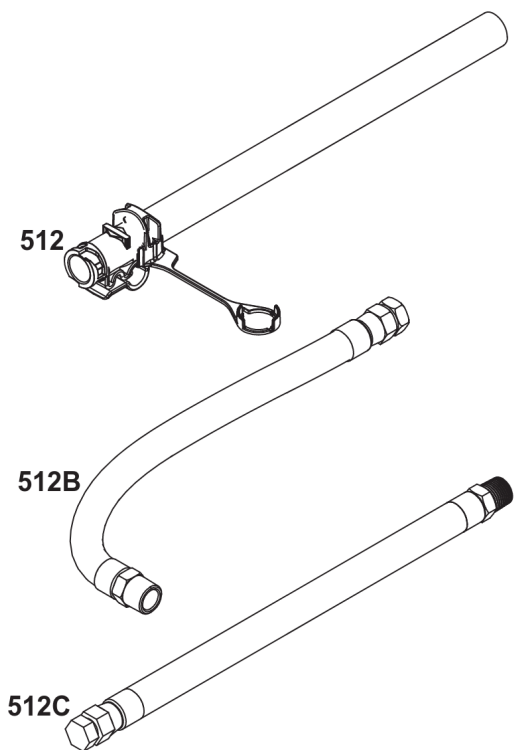
Model 54-61 Engine Accessories Catalog

Not For
Reproduction



Maintenance Kits

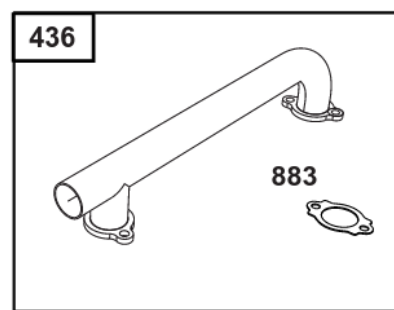
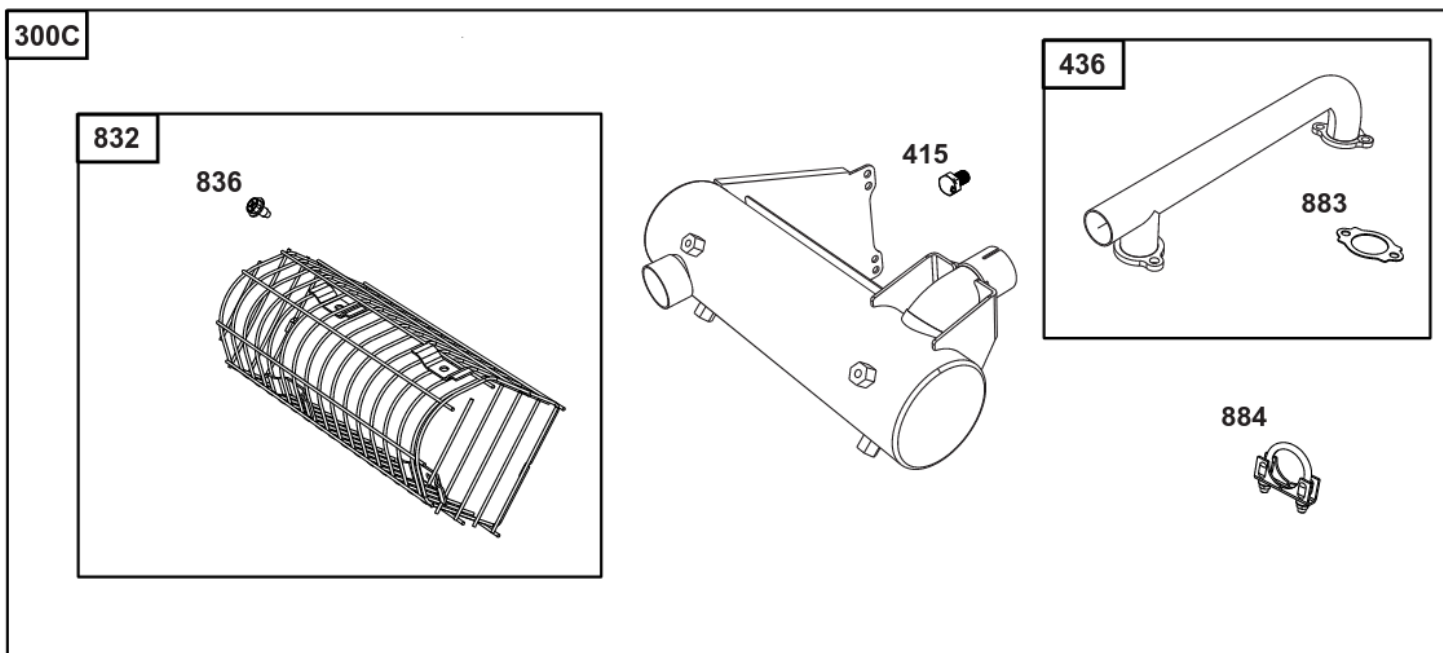
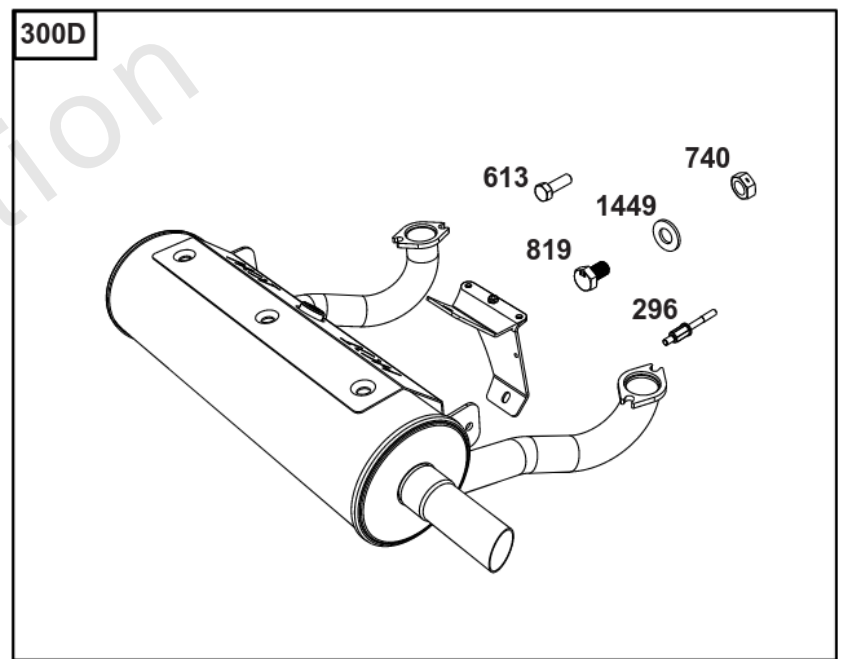
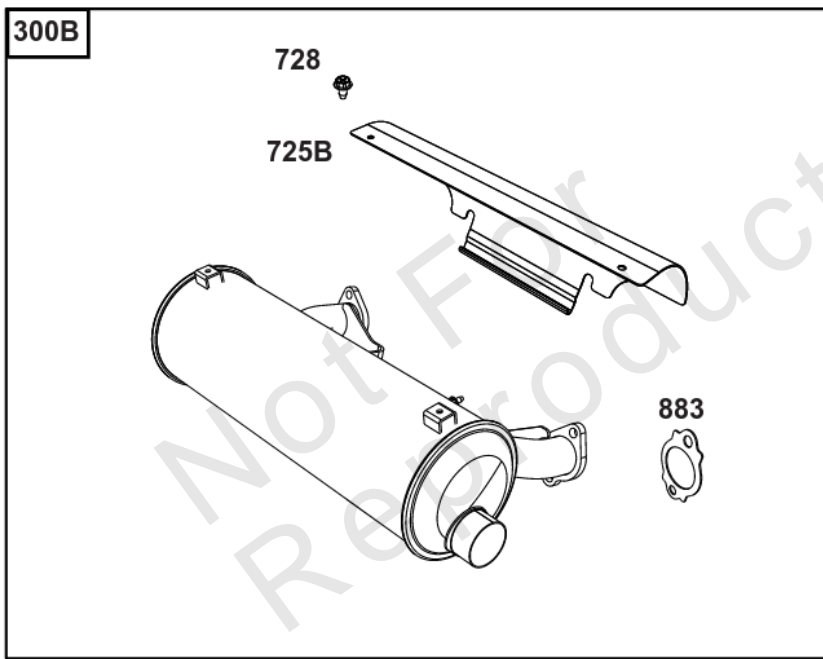
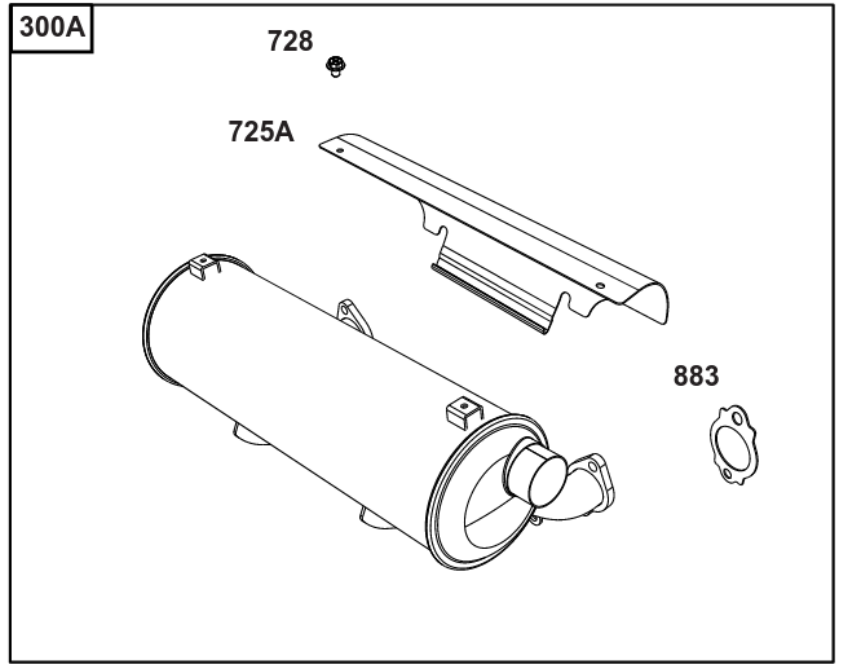
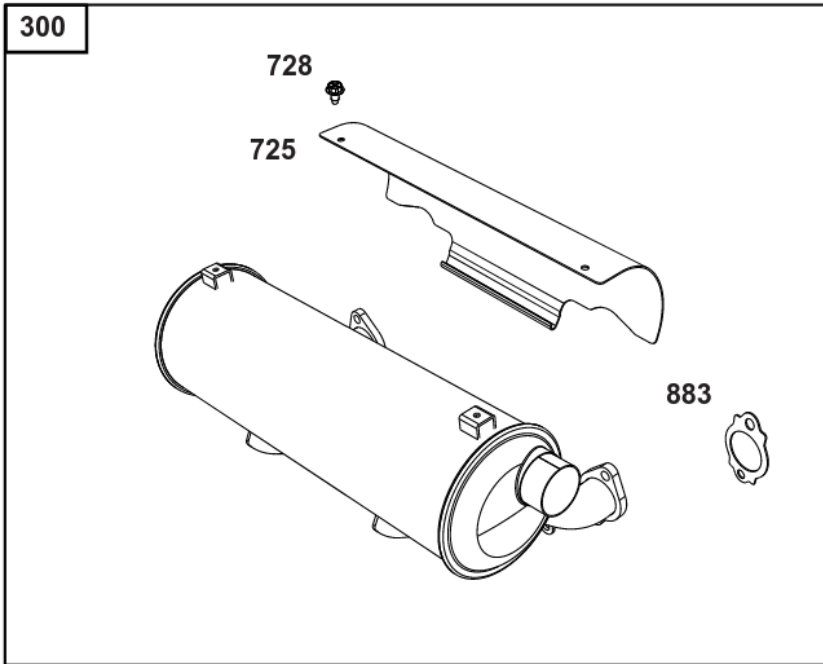
REF NO	PART NO	QTY	DESCRIPTION
9000	84002318		KIT, Maintenance -(Oil Guard™ Engines)
9000A	84002315		KIT, Maintenance -(Non-Oil Guard™ Engines)
9000B	84004936		KIT, Maintenance -(Non-Oil Guard™ Engines) (20 - 40 HP)
240	845125	1	FILTER, Fuel
337	491055S	2	PLUG, Spark
445	841497	1	FILTER, A/C Cartridge -"Professional / PXi" & "Commercial / CXi".
445A	692519	1	FILTER, A/C Cartridge -"Professional / PXi" & "Commercial / CXi".
967	692520	1	FILTER, Pre Cleaner
1027	595930	1	FILTER, Oil -(Oil Guard™)
1027A	842921	1	FILTER, Oil -(Vanguard®)
1505	100170		OIL-5QT VANGUARD (CASE) -(5 qt Bottle)
1505A	100169		OIL-1QT VANGUARD (CASE) -(1 qt Bottle)



Not For
Reproduction

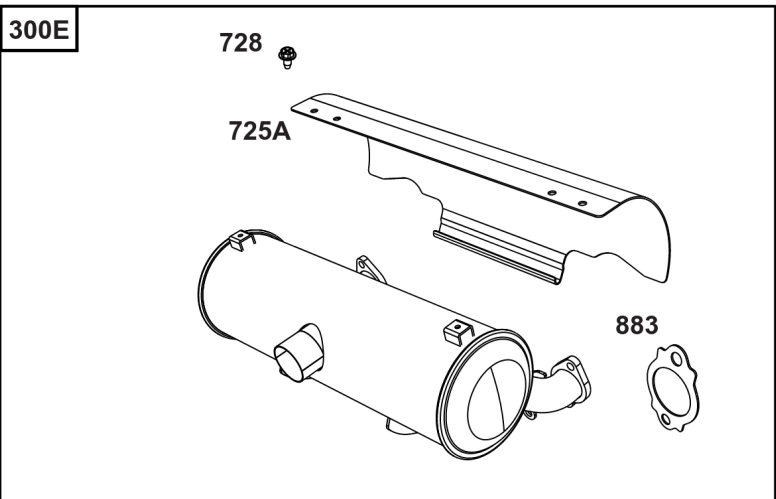
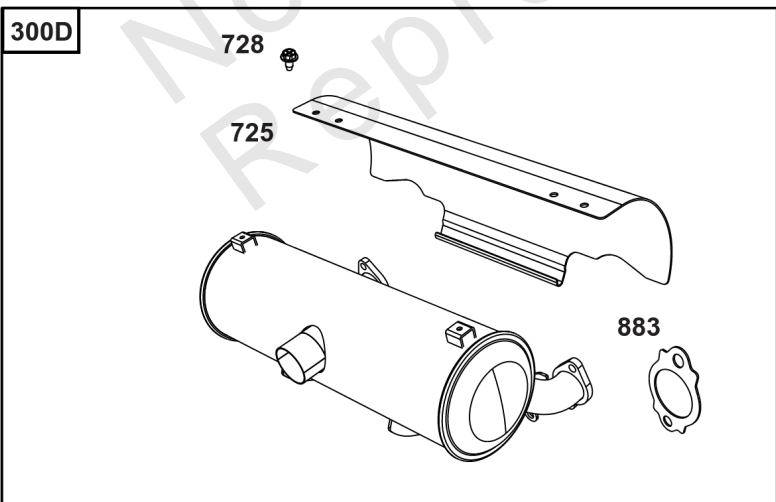
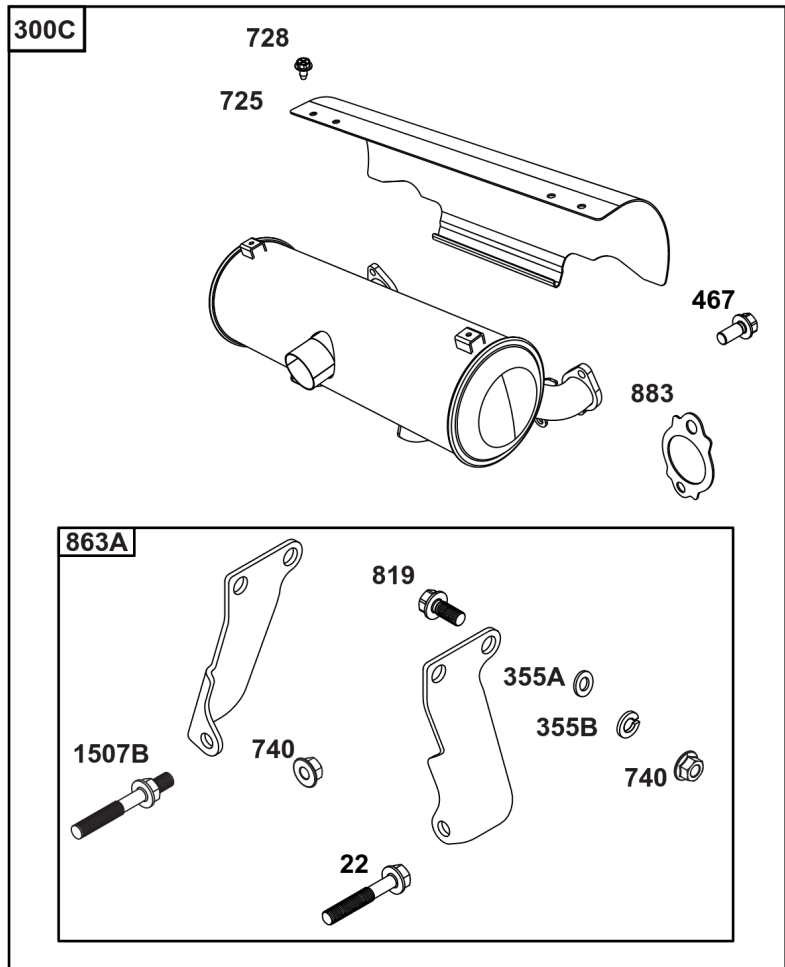
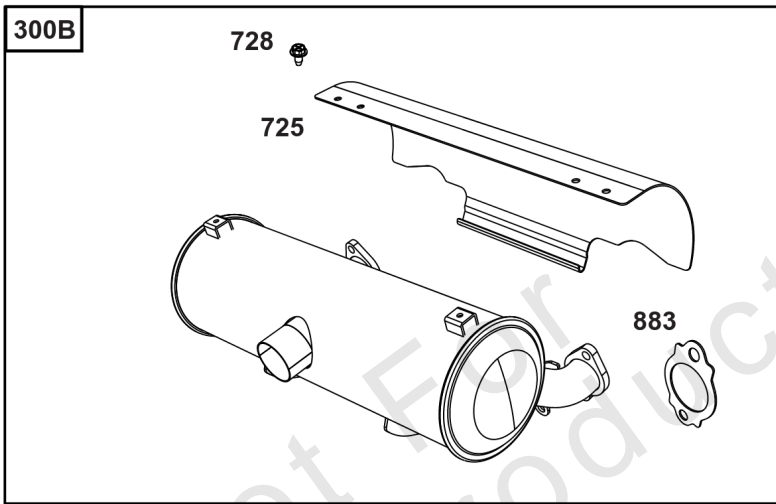
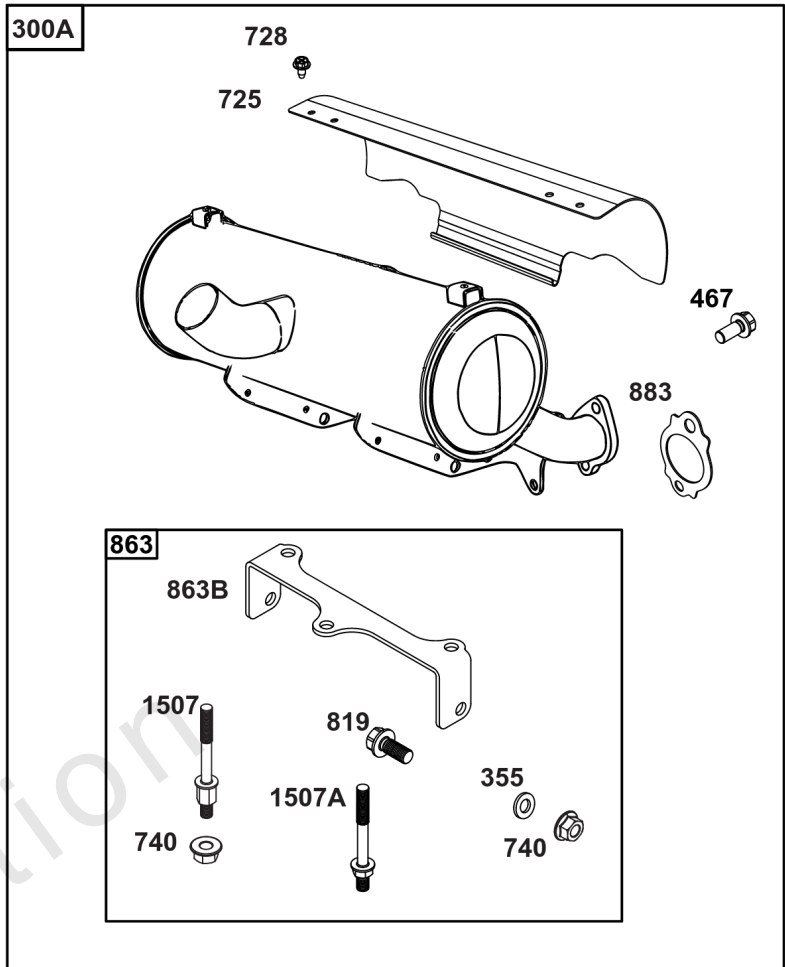
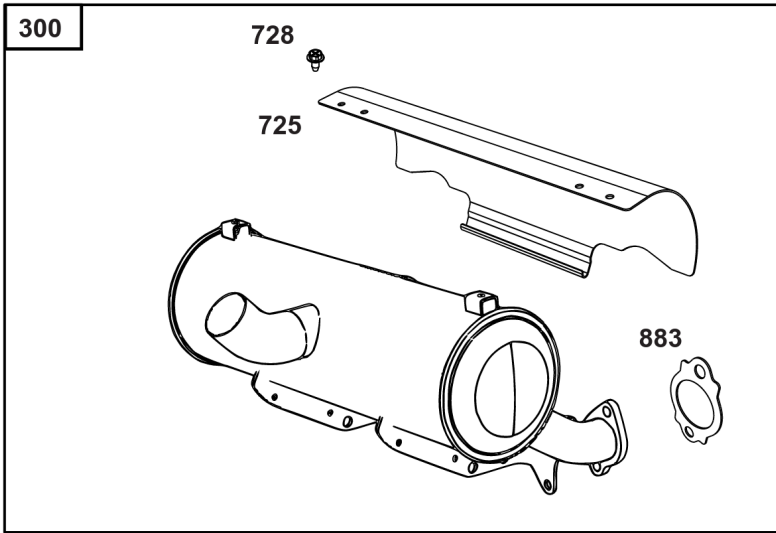
Lubrication

REF NO	PART NO	QTY	DESCRIPTION
186	796532	1	CONNECTOR, Hose -(Threaded Engine Block Connector for EZ-Oil Drain Hose)(Order hose separate)
239	690233	1	SWITCH, Oil Pressure -(2-4 PSI Normally-Closed Switch)
239A	491657S	1	SWITCH, Oil Pressure -(3-5 PSI Normally-Closed Switch)
239B	841281	1	SWITCH, Oil Pressure -(7-10 PSI Normally-Closed Switch)
239C	694115	1	SWITCH, Oil Pressure -(9-13 PSI Normally-Closed Switch)
239D	697049	1	SWITCH, Oil Pressure -(3-6 PSI Normally-Open Switch)
460	1761386YP	1	CONNECTOR, Filter Adapter -(Oil Drain Valve) (Fitting M14, 90 Degree 9/16 JIC)
460A	5100366SM	1	METRIC ADAPTER, M14-1 -(Threaded engine block adapter M14 to 3/8 for EZ-Oil Drain connector) (order 796532 separate)
512	594200	1	HOSE, Oil Drain -(EZ-Oil Drain Hose, 10.5") (Order threaded engine block connector separate)
512	593635	1	HOSE, Oil Drain -(EZ-Oil Drain Hose, 13.75") (Order threaded engine block connector separate)
512B	1723165SM	1	HOSE, Oil Drain, 10-1/2" Long, 3/8-18 Fittings -(10.5")
512C	5048681SM	1	HOSE, OIL DRAIN -(12.5")
517	593633	1	RETAINER, Oil Drain
1346	844802	1	VALVE, Oil Drain Shut Off
1346A	492031	1	VALVE, Oil Drain Shut Off
1505	100169		OIL-1QT VANGUARD (CASE) -(1 qt. Bottle)
1505A	100170		OIL-5QT VANGUARD (CASE) -(5 qt. Bottle)



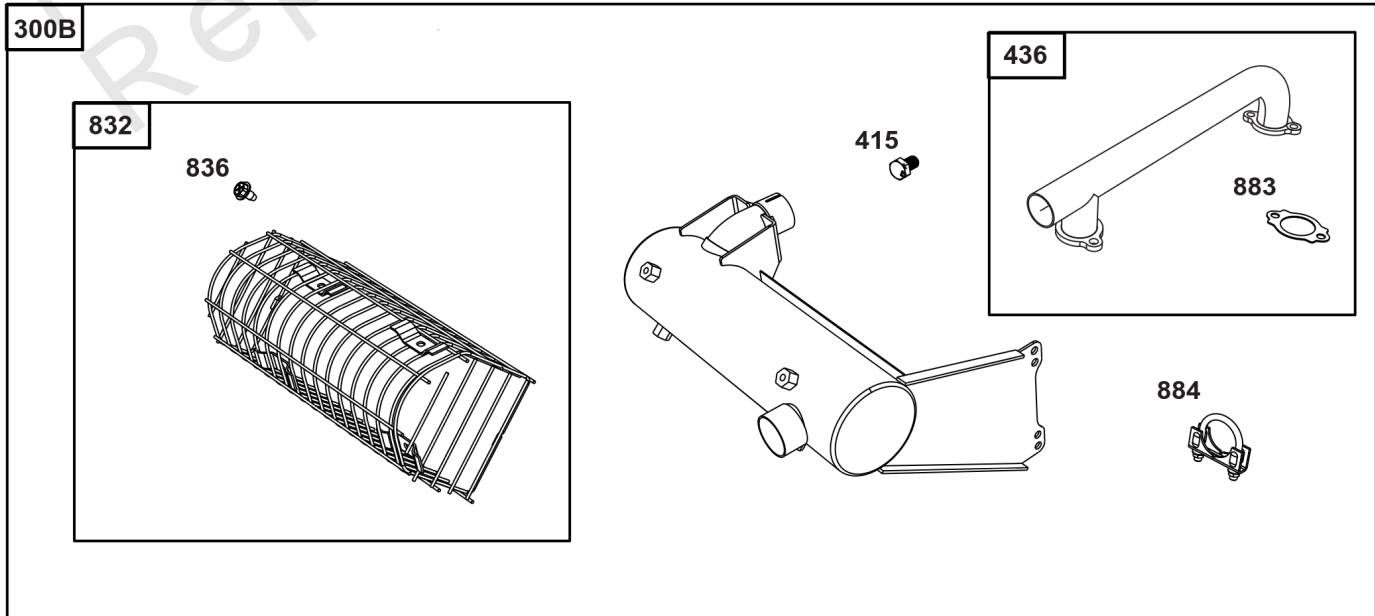
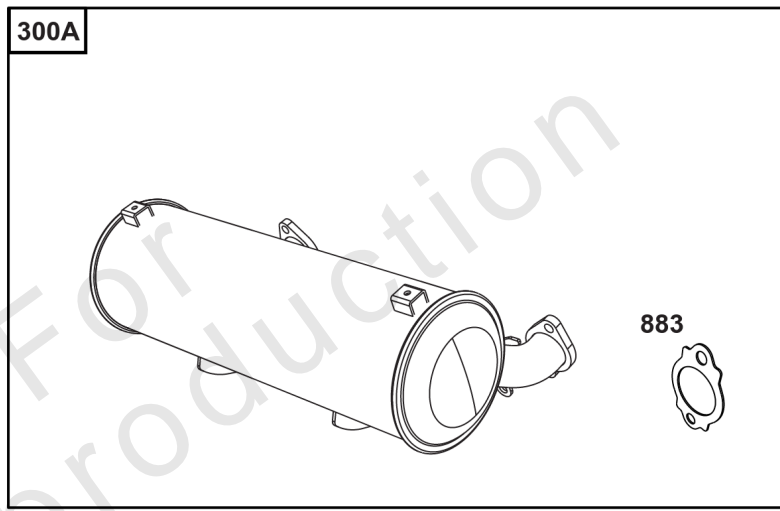
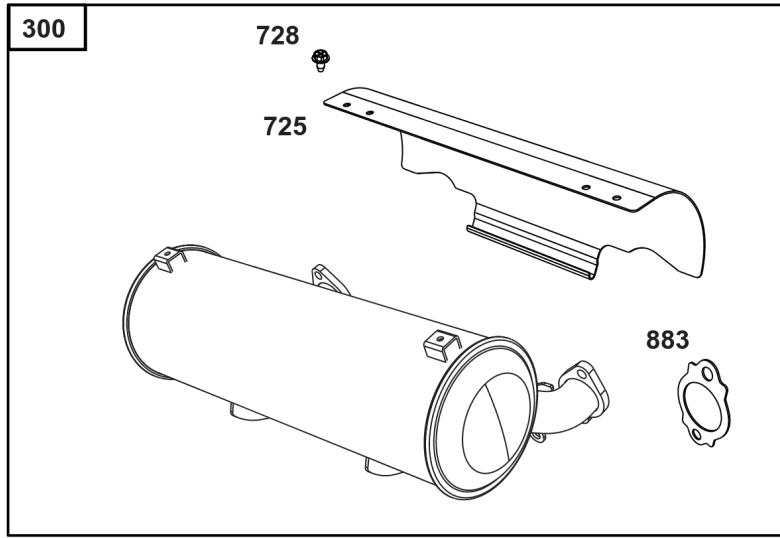
Oil Filter Side Outlet Mufflers

REF NO	PART NO	QTY	DESCRIPTION
296	844813	4	STUD -(Muffler)
300	846819	1	MUFFLER -(High Mount) (Oil Filter Side Outlet) (EFI)
300A	846246	1	MUFFLER -(Mid Mount) (Oil Filter Side Outlet)
300B	847486	1	MUFFLER -(Mid Mount) (Oil Filter Side Outlet) (EFI)
300C	847278	1	MUFFLER -(Side Mount) (Oil Filter Side Outlet) (EFI)
300D	84007299	1	MUFFLER -(Vertical Shaft)(Oil Filter Side Outlet)
415	596859	1	PLUG
436	841681	1	MANIFOLD, Exhaust
613	596859		PLUG -(Muffler)
725	847229	1	SHIELD, Heat
725A	844338	1	SHIELD, Heat
725B	847487	1	SHIELD, Heat
728	692067	2	SCREW -(Heat Shield)
740	703164	2	NUT -Muffler Bracket
819	5025011X8SM	2	CAPSCREW, Hex Head, 5/16-18 X 1 -(Muffler Bracket)
832	841682	1	GUARD, Muffler
836	841233	4	SCREW -(Muffler Guard)
883	809872	2	GASKET, Exhaust
884	841968	1	CLAMP, Muffler
1449	703350	4	WASHER -(Muffler)



Center Outlet Mufflers

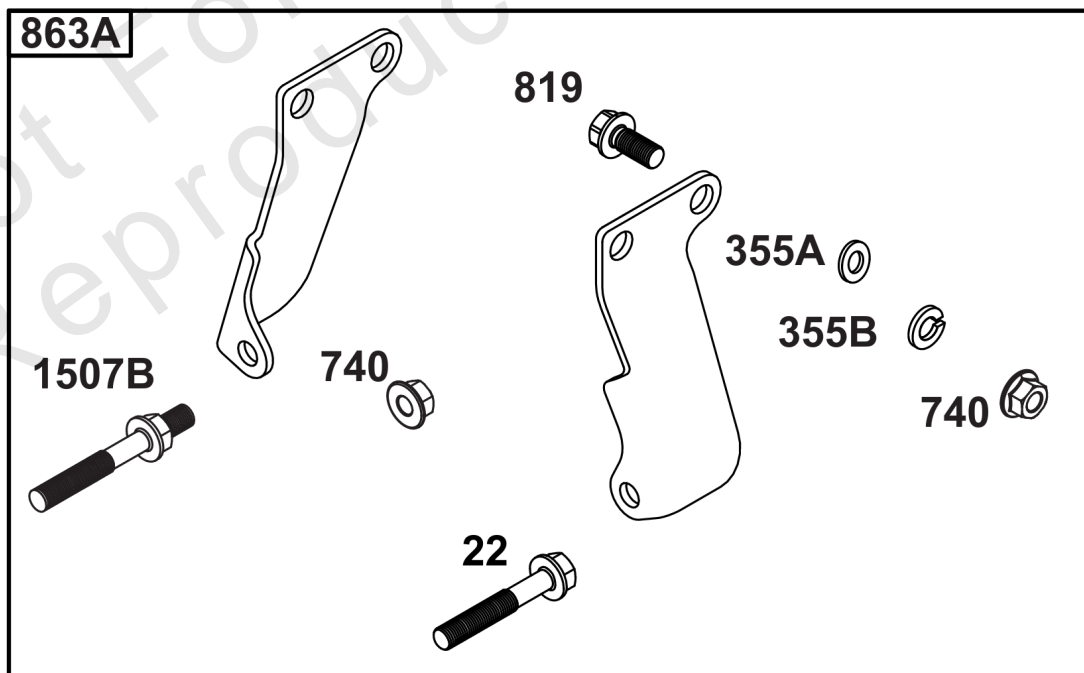
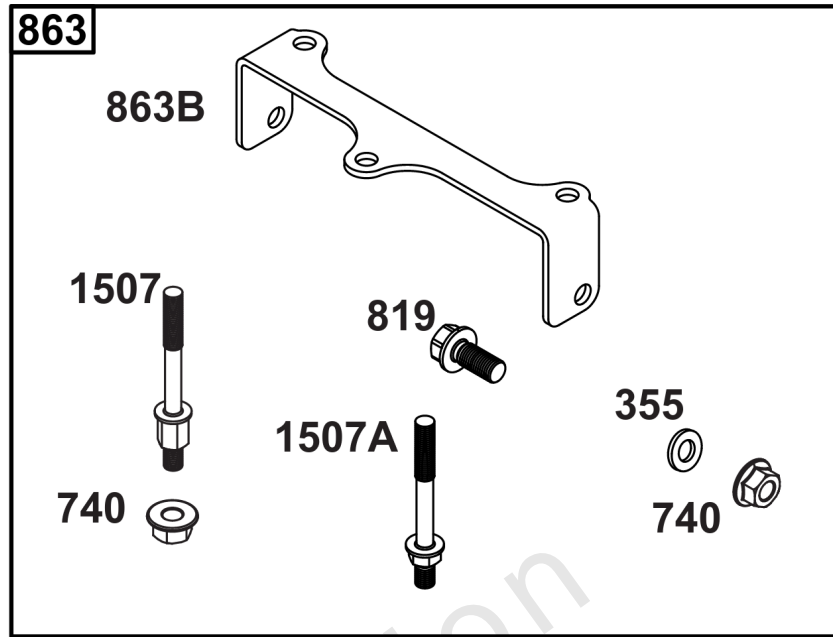
REF NO	PART NO	QTY	DESCRIPTION
22	807362	2	SCREW -(Muffler Bracket)
300	846443	1	MUFFLER -(Vertical Shaft) (Center Outlet) (304 Stainless Steel)
300A	847940	1	MUFFLER -(Vertical Shaft) (Center Outlet) (304 Stainless Steel) (Performance Muffler for 40 HP)
300B	846154	1	MUFFLER -(Horizontal Shaft) (High Mount) (Center Outlet)
300C	847922	1	MUFFLER -(Horizontal Shaft) (High Mount) (Center Outlet) (304 Stainless Steel) (Performance Muffler for 40 HP)
300D	846444	1	MUFFLER -(Horizontal Shaft) (High Mount) (Center Outlet) (304 Stainless Steel)
300E	847478	1	MUFFLER -(Horizontal Shaft) (High Mount) (Center Outlet) (O2 Sensor Port) (EFI)
355	844035	2	WASHER -(Muffler Bracket)
355A	691261	2	WASHER -(Muffler Bracket)
355B	691075	8	WASHER -(Muffler Bracket)
467	846149	4	SCREW -(Exhaust Manifold)
725	841132	1	SHIELD, Heat
725A	847229	1	SHIELD, Heat
728	692067	2	SCREW -(Heat Shield)
740	690941	5	NUT
819	692062	2	SCREW -(Muffler Bracket)
863	848296	1	BRACKET, Muffler
863A	843487	1	BRACKET, Muffler
863B	848296	1	BRACKET, Muffler
883	809872	2	GASKET, Exhaust
1507	848297	1	STUD -(Muffler Bracket)
1507A	848298	2	STUD -(Muffler Bracket)
1507B	846324	2	STUD -(Muffler Bracket)



Starter Side Outlet Mufflers

REF NO	PART NO	QTY	DESCRIPTION
300	845741	1	MUFFLER -(High Mount) (Starter Side Outlet)
300A	847083	1	MUFFLER -(Starter Side Outlet) (EFI)
300B	847279		MUFFLER -(Side Mount) (Starter Side Outlet) (EFI)
415	596859	1	PLUG
436	842263	1	MANIFOLD, Exhaust
725	841132	1	SHIELD, Heat
728	692067	2	SCREW -(Heat Shield)
832	841682	1	GUARD, Muffler
836	841233	4	SCREW -(Muffler Guard)
883	809872	2	GASKET, Exhaust
884	841968	1	CLAMP, Muffler

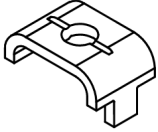
Not For Reproduction



Muffler Bracket Kits

REF NO	PART NO	QTY	DESCRIPTION
22	807362	2	SCREW -(Muffler Bracket)
355	844035	2	WASHER -(Muffler Bracket)
355A	691261	2	WASHER -(Muffler Bracket)
355B	691075	8	WASHER -(Muffler Bracket)
740	690941	6	NUT -(Muffler Bracket)
819	692062	2	SCREW -(Muffler Bracket)
863	848316	1	BRACKET, Muffler -(Vertical)
863A	843487	1	BRACKET, Muffler -(Horizontal)
863B	848296	1	BRACKET, Muffler -(Vertical)
1507	848297	1	STUD -(Muffler Bracket)
1507A	848298	2	STUD -(Muffler Bracket)
1507B	846324	2	STUD -(Muffler Bracket)

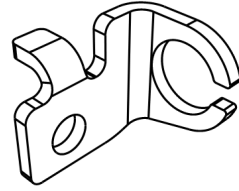
265



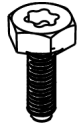
265A



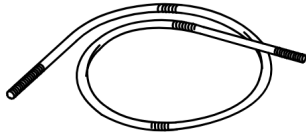
416



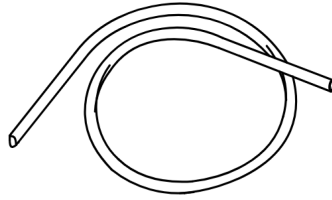
267



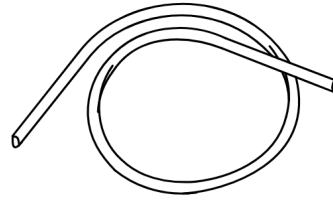
268



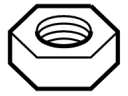
269



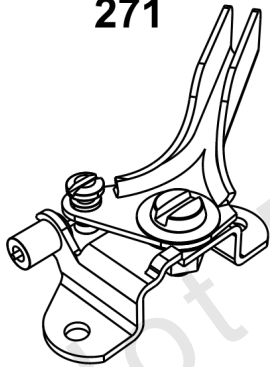
269A



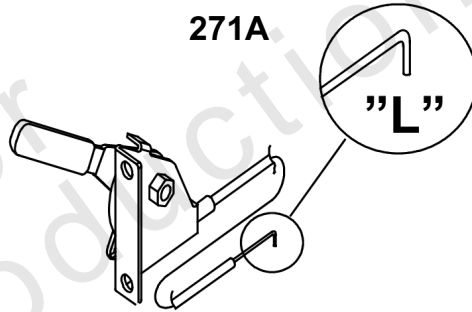
270



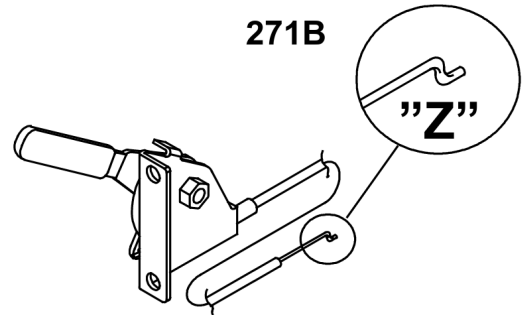
271



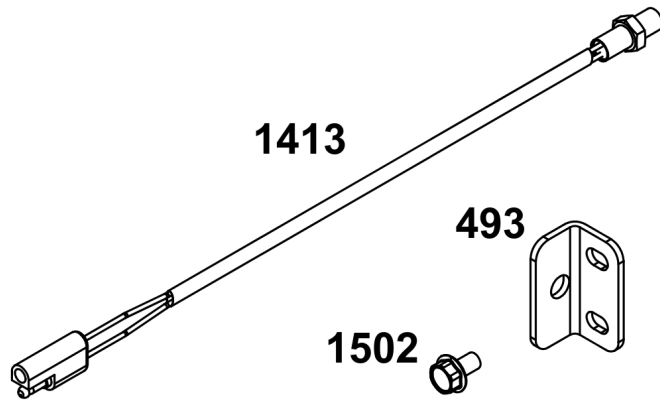
271A



271B



1413



493



1502



Speed Control

REF NO	PART NO	QTY	DESCRIPTION
265	691024	1	CLAMP, Casing -(Casing Clamp for Hard Casing)
265A	690798	1	CLAMP, Casing -(Casing Clamp for Soft Casing)
267	792629	1	SCREW -(Screw for Casing Clamp)
268	691025	1	CASING, Control Wire -(Wire Casing 72")
269	691026	1	WIRE, Control -(Control Wire 78")
269A	93907	1	WIRE, Control -(Control Wire 100")
270	691027	1	NUT -(Nut for Wire Casing)
271	691028	1	LEVER, Control
271A	692105	1	LEVER, Control -(Wire with "L" formed end)
271B	692541	1	LEVER, Control -(Wire with "Z" formed end)
416	595196	1	BRACKET, Throttle Cable -(Casing Clamp for Snap-In Casing)
493	842713	1	BRACKET, Mounting -(Speed Sensor)
1413	844449	1	SENSOR, Speed -(Requires 842713 Bracket and two 841233 screws)
1502	841233	2	SCREW -(Speed Sensor)

330



853



415



1616



1518



983



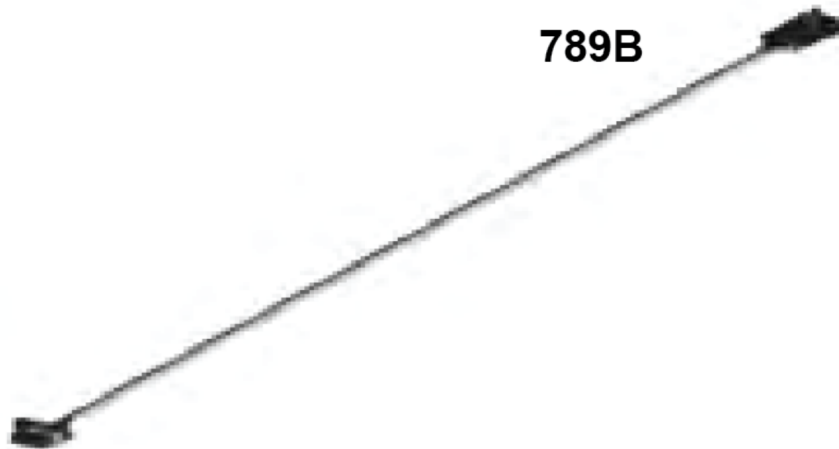
789



789A

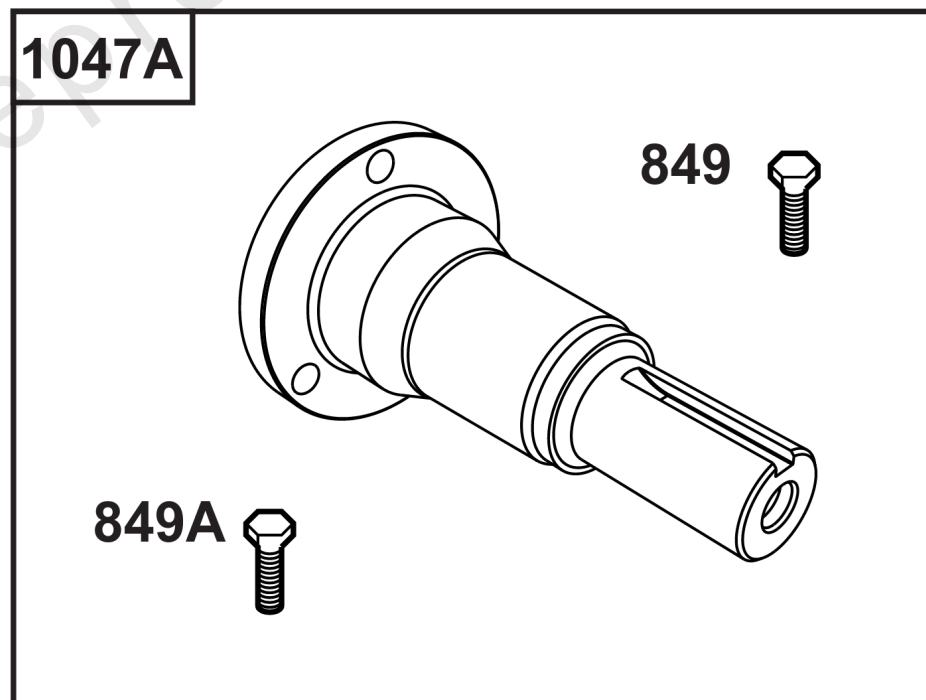
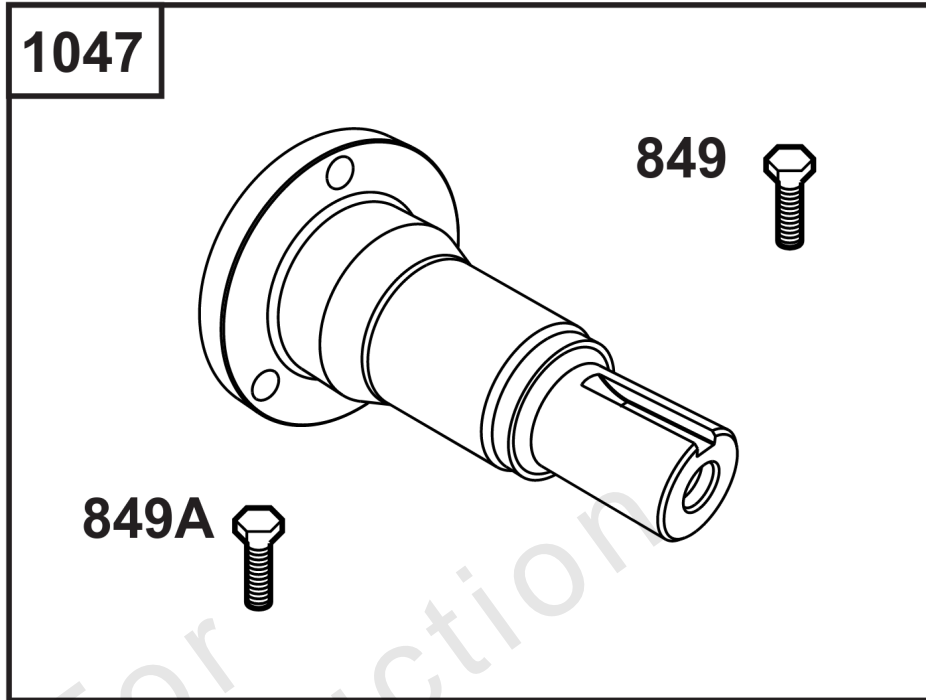


789B



Electrical

REF NO	PART NO	QTY	DESCRIPTION
330	847476	1	SENSOR, Oxygen -(Extended Length O2 Sensor 23.5")
415	1714480SM	1	PLUG -(Plug for Ignition Switch Removal)
789	809967	1	HARNESS, Wiring -(Wire Harness Extension 8 Pin – 22") (Use with standard key switch 692318 or water/dust resistant key switch 847448)
789A	846776	1	HARNESS, Wiring -(Wire Harness Extension 6 Pin – 22") (Use with standard key switch 692318 or water/dust resistant key switch 847448)
789B	847017	1	WIRE ASSEMBLY -(Wire Harness Extension for 847016 Tach 32")
853	80028618	1	ADAPTER, Wire -(Wire Harness Adapter 6 Pin to 8 Pin)
983	5103809YP	1	LIGHT, Indicator -(MIL Light Indicator, LED Red)
1518	847016	1	TACHOMETER -(Tach, Hour Meter with MIL Light for EFI Engines)
1616	19626	1	CODE READER -(Tiny Scan)

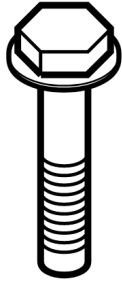


Stub Shafts

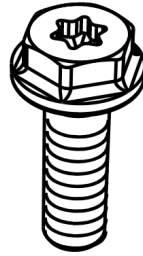
REF NO	PART NO	QTY	DESCRIPTION
849	596370	3	SCREW -(Stub Shaft)
849A	846235	3	SCREW -(Stub Shaft)
1047	841304	1	SHAFT, Stub -(Flywheel Mounted) (1-1/8" diameter, 148 mm length)
1047A	843342	1	SHAFT, Stub -(Flywheel Mounted) (1-1/8" diameter, 176 mm length)

Not For Reproduction

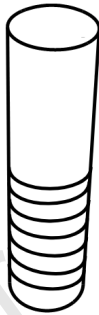
613



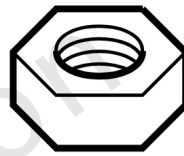
437



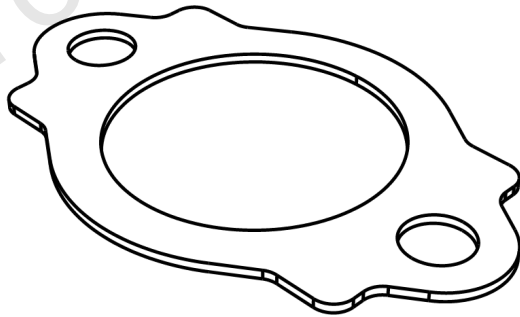
151



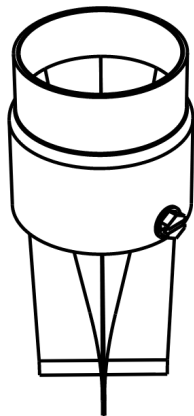
1177



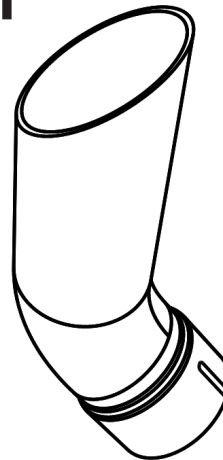
883



994



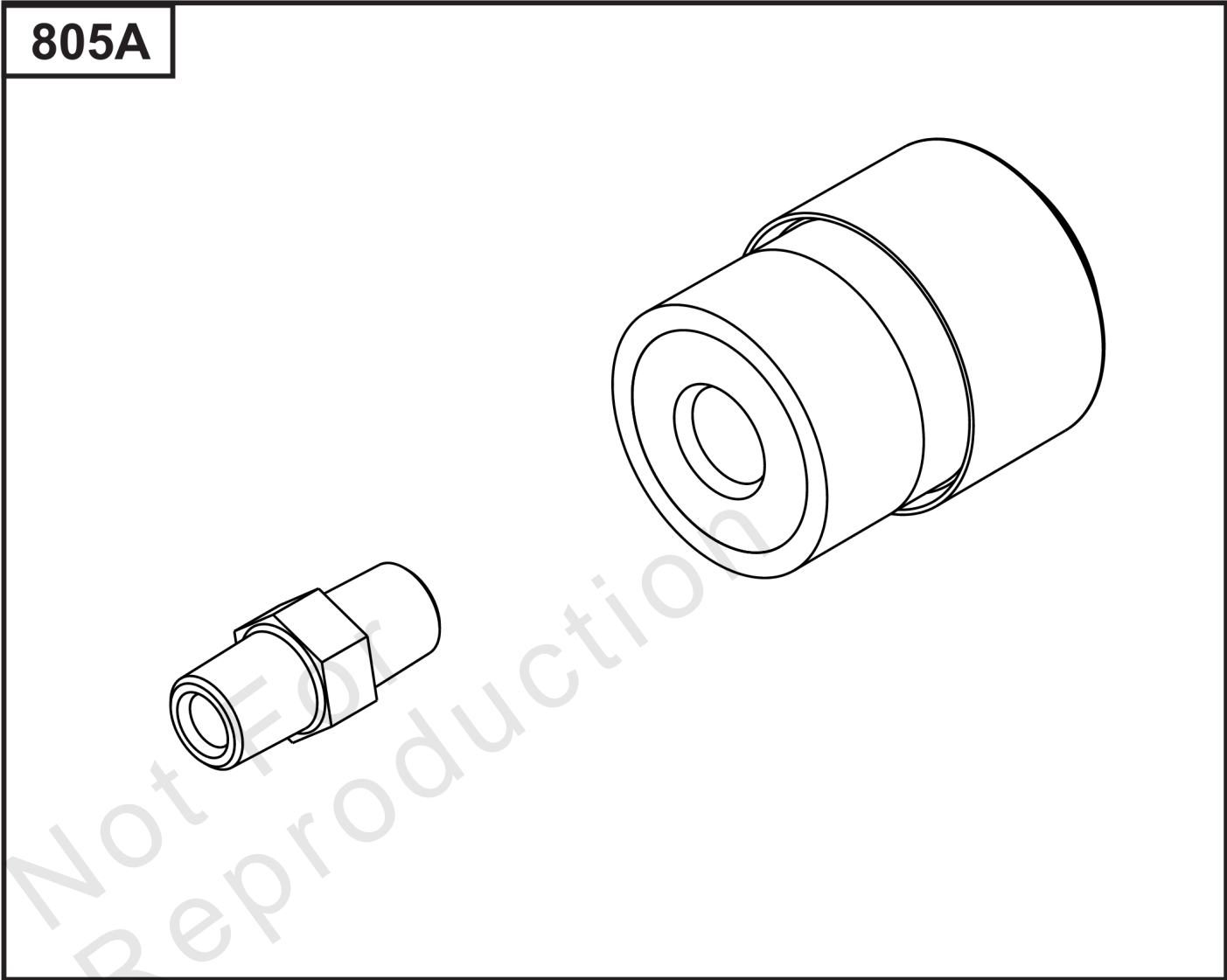
301



Spark Arrester/Deflector

REF NO	PART NO	QTY	DESCRIPTION
151	841185	4	STUD -(4 per engine)
301	841518	1	PIPE, Exhaust -(For 44.7 O.D. muffler outlet pipe) (Requires clamp 843624)
437	809743	4	SCREW -(M8 x 25 for Mounting Mufflers) (4 per engine)
613	692062	4	SCREW -(M8 x 18 for Mounting Mufflers) (4 per engine)
883	809872	2	GASKET, Exhaust -(2 per engine)
994	843204	1	ARRESTOR, Spark -(1.75") (44.7 mm) (O.D. Outlet Tube)
1177	842067	4	NUT -(Required if using 841185 stud)

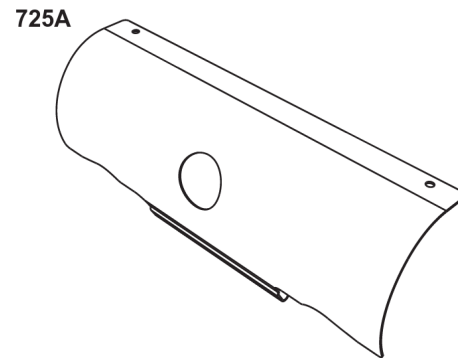
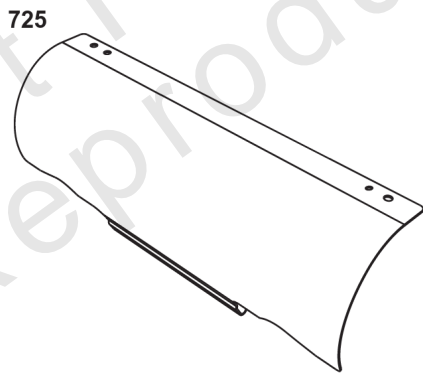
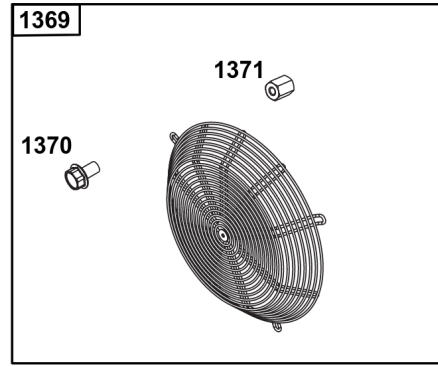
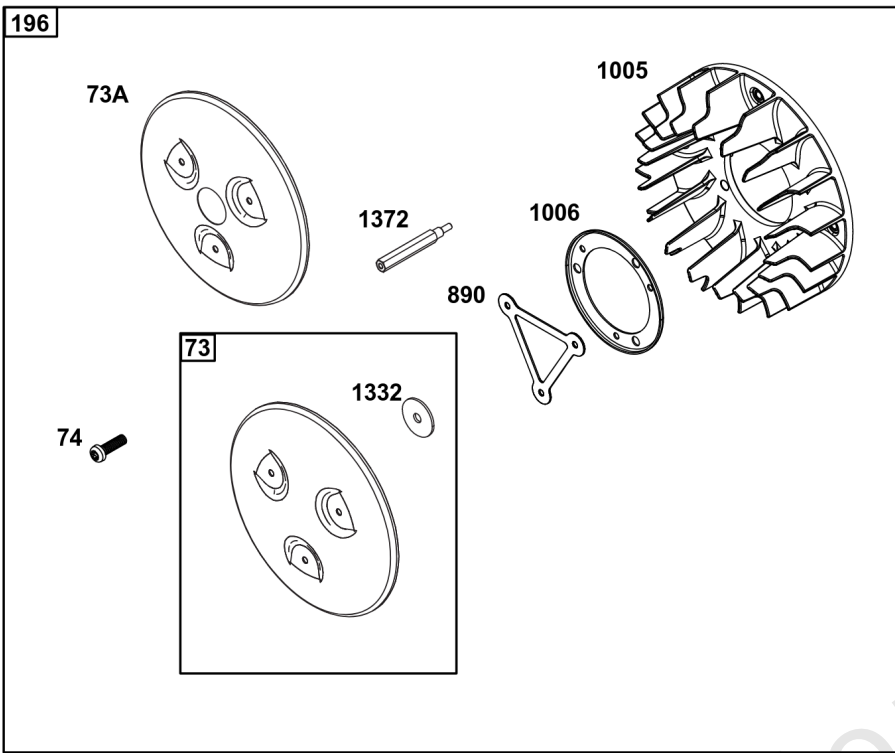
Not For Reproduction



Air Intake

REF NO	PART NO	QTY	DESCRIPTION
805A	843024	1	MINDER, Filter

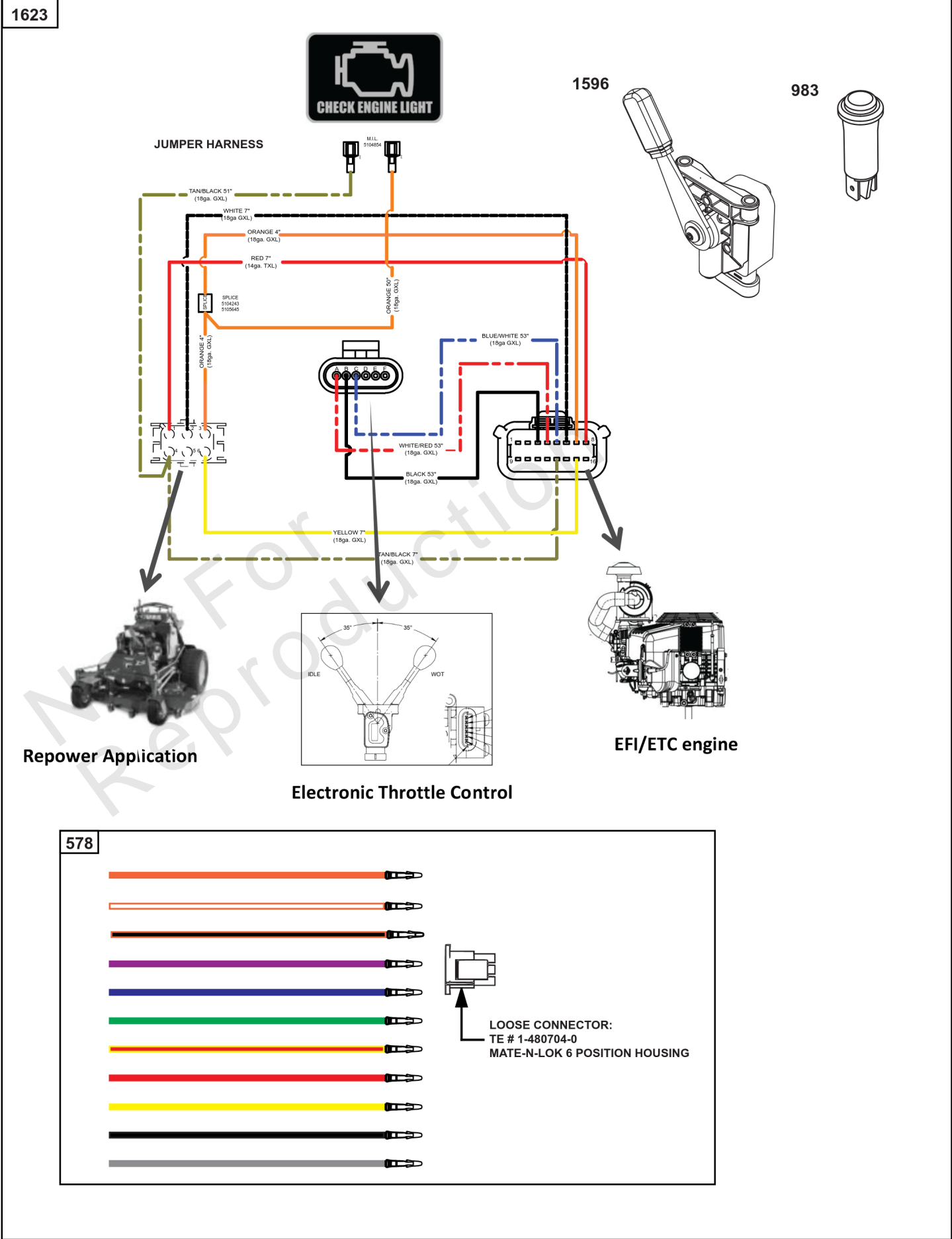
Not For Reproduction



Guarding

REF NO	PART NO	QTY	DESCRIPTION
73	841840	1	SCREEN, Rotating
73A	842248	1	SCREEN, Rotating
74	809947	3	SCREW -(Rotating Screen) (M6x20mm)
196	847200	1	GUARD, Flywheel Fan
725	841132	1	SHIELD, Heat -(Requires 2 x 692067 Screw)
725A	847229	1	SHIELD, Heat -(With 02 Sensor Hole) (EFI)
890	809987	1	BRACKET, Support
1005	846996	1	FAN, Flywheel
1006	847198	1	RETAINER, Fan
1332	809948	3	WASHER
1369	995019	1	FAN/SCREEN ASSEMBLY
1370	841233	4	SCREW -(Flywheel Fan Guard)
1371	841537	4	NUT -(Flywheel Fan Guard)
1372	809946	3	STUD

Not For Reproduction



Electronic Throttle Kit

REF NO	PART NO	QTY	DESCRIPTION
578	84007350	1	WIRE ASSEMBLY
983	5103809YP	1	LIGHT, Indicator
1596	84007271	1	LEVER, Electronic Throttle
1623	84008670	1	KIT, Throttle Assembly -(Analog Electronic Throttle Control)

Not For Reproduction

